



US007235084B2

(12) **United States Patent**
Skakoon et al.

(10) **Patent No.:** **US 7,235,084 B2**
(45) **Date of Patent:** **Jun. 26, 2007**

(54) **DEEP ORGAN ACCESS DEVICE AND METHOD**

(75) Inventors: **James G. Skakoon**, St. Paul, MN (US); **Robert Wharen**, Ponte Vendra Beach, FL (US); **Matthew S. Solar**, Indialantic, FL (US); **Kari Parmer**, Melbourne, FL (US); **Rudy A. Mazzocchi**, Indian Harbor Beach, FL (US); **John David**, Malabar, FL (US); **Frank Murdock**, Indialantic, FL (US); **David Hatcher**, Palm Bay, FL (US); **Thomas I. Miller**, Palm Bay, FL (US); **Timothy Alan Parmer**, Melbourne, FL (US); **Charles L. Truwit**, Wayzata, MN (US)

(73) Assignees: **Image-Guided Neurologics, Inc.**, Melbourne, FL (US); **Mayo Foundation for Medical Education and Research**, Rochester, MN (US)

(*) Notice: Subject to any disclaimer, the term of this patent is extended or adjusted under 35 U.S.C. 154(b) by 564 days.

(21) Appl. No.: **10/175,668**

(22) Filed: **Jun. 20, 2002**

(65) **Prior Publication Data**
US 2002/0156372 A1 Oct. 24, 2002

Related U.S. Application Data

(63) Continuation of application No. 09/828,451, filed on Apr. 6, 2001.

(60) Provisional application No. 60/195,663, filed on Apr. 7, 2000.

(51) **Int. Cl.**
A61B 19/00 (2006.01)

(52) **U.S. Cl.** **606/130; 606/129**

(58) **Field of Classification Search** 606/129, 606/130, 170, 108, 87; 600/235, 431, 426; 264/271

See application file for complete search history.

(56) **References Cited**

U.S. PATENT DOCUMENTS

1,129,333 A 2/1915 Clarke
1,664,210 A 3/1928 Hall
2,119,649 A 6/1938 Roosen

(Continued)

FOREIGN PATENT DOCUMENTS

DE 3108766 9/1982

(Continued)

OTHER PUBLICATIONS

“Cross-Hairs Kit”, *Elekta Instruction for Use Brochure*, 4 pgs.

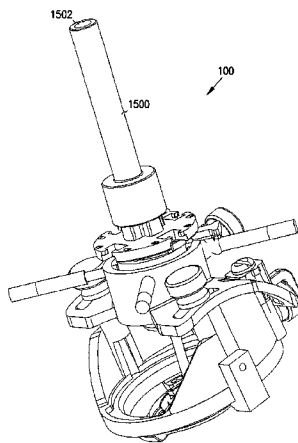
(Continued)

Primary Examiner—Justine R. Yu
Assistant Examiner—Annette Dixon
(74) *Attorney, Agent, or Firm*—Schwegman, Lundberg, Woessner & Kluth, P.A.

(57) **ABSTRACT**

Devices and methods provide accurate targeting, placement, and/or stabilization of an electrode or other instrument(s) into the brain or other body organ, such as to treat severe tremor or other neurological disorders. Targeting is performed using any form of image-guidance, including real-time MRI, CT, or frameless surgical navigation systems.

45 Claims, 36 Drawing Sheets



U.S. PATENT DOCUMENTS					
			5,052,329 A	10/1991	Bennett
			5,054,497 A	10/1991	Kapp et al.
			5,057,084 A	10/1991	Ensminger et al.
			5,057,106 A	10/1991	Kasevich et al.
			5,065,761 A	11/1991	Pell
			5,078,140 A	1/1992	Kwoh
			5,078,142 A	1/1992	Siczek et al.
			5,080,662 A	1/1992	Paul
			5,087,256 A	2/1992	Taylor et al.
			5,099,846 A	3/1992	Hardy
			5,102,402 A	4/1992	Dror et al.
			5,116,344 A	5/1992	Sundqvist
			5,116,345 A *	5/1992	Jewell et al. 606/130
			5,120,322 A	6/1992	Davis et al.
			5,125,888 A	6/1992	Howard et al.
			5,142,930 A	9/1992	Allen et al.
			5,143,086 A	9/1992	Duret et al.
			5,154,179 A	10/1992	Ratner
			5,154,723 A	10/1992	Kubota et al.
			5,163,430 A	11/1992	Carol
			5,166,875 A	11/1992	Machida
			5,171,217 A	12/1992	March et al.
			5,174,297 A	12/1992	Daikuzono
			5,186,174 A	2/1993	Schlondorff et al.
			5,201,742 A	4/1993	Hasson
			5,207,223 A	5/1993	Adler
			5,207,688 A	5/1993	Carol
			5,211,165 A	5/1993	Dumoulin et al.
			5,221,264 A	6/1993	Wilk et al.
			5,222,499 A	6/1993	Allen et al.
			5,230,338 A	7/1993	Allen et al.
			5,230,623 A	7/1993	Guthrie et al.
			5,246,448 A	9/1993	Chang
			5,257,998 A	11/1993	Ota et al.
			5,263,939 A	11/1993	Wortrich
			5,263,956 A	11/1993	Nobles
			5,267,970 A	12/1993	Chin et al.
			5,269,305 A	12/1993	Corol
			5,279,309 A	1/1994	Taylor et al.
			5,279,575 A	1/1994	Sugarbaker
			5,290,266 A	3/1994	Rohling et al.
			5,291,890 A	3/1994	Cline et al.
			5,300,080 A	4/1994	Clayman et al.
			5,305,203 A	4/1994	Raab
			5,309,913 A	5/1994	Kormos et al.
			5,330,485 A	7/1994	Clayman et al.
			5,354,283 A	10/1994	Bark et al.
			5,361,763 A	11/1994	Kao et al.
			5,366,446 A	11/1994	Tal et al.
			5,375,588 A	12/1994	Yoon
			5,375,596 A	12/1994	Twiss et al.
			5,380,302 A	1/1995	Orth
			5,383,454 A	1/1995	Bucholz
			5,387,220 A	2/1995	Pisharodi
			5,423,848 A	6/1995	Washizuka et al.
			5,445,166 A	8/1995	Taylor
			5,452,720 A	9/1995	Smith et al.
			5,464,446 A	11/1995	Dressen et al.
			5,470,307 A	11/1995	Lindall
			5,474,564 A	12/1995	Clayman et al.
			5,483,961 A	1/1996	Kelly et al.
			5,494,034 A	2/1996	Schlondorff et al.
			5,494,655 A	2/1996	Rocklage et al.
			5,515,160 A	5/1996	Schulz et al.
			5,517,990 A	5/1996	Kalfas et al.
			5,528,652 A	6/1996	Smith et al.
			5,572,999 A	11/1996	Funda et al.
			5,575,798 A	11/1996	Koutrouvelis
			5,618,288 A	4/1997	Calvo
			5,622,170 A	4/1997	Schulz
			5,638,819 A	6/1997	Manwaring et al.
			5,643,286 A	7/1997	Warner et al.
			5,647,361 A	7/1997	Damadian

5,658,272 A 8/1997 Hasson
 5,662,600 A 9/1997 Watson et al.
 5,667,514 A 9/1997 Heller
 5,695,501 A 12/1997 Carol et al.
 5,713,858 A 2/1998 Heruth et al.
 5,776,064 A 7/1998 Kalfas et al.
 5,776,143 A 7/1998 Adams
 5,776,144 A * 7/1998 Leysieffer et al. 606/130
 5,810,712 A 9/1998 Dunn
 5,817,106 A 10/1998 Real
 5,833,627 A 11/1998 Shmulewitz et al.
 5,843,150 A 12/1998 Dressen et al.
 5,851,183 A 12/1998 Bucholz
 5,865,842 A 2/1999 Knuth et al.
 5,871,445 A 2/1999 Bucholz
 5,873,822 A 2/1999 Ferre et al.
 5,891,034 A 4/1999 Bucholz
 5,891,157 A 4/1999 Day et al.
 5,927,277 A * 7/1999 Baudino et al. 600/386
 5,950,629 A 9/1999 Taylor et al.
 5,954,687 A 9/1999 Baudino
 5,957,934 A 9/1999 Rapoport
 5,964,705 A 10/1999 Truwit et al.
 5,980,535 A 11/1999 Barnett et al.
 5,984,930 A * 11/1999 Maciunas et al. 606/130
 5,993,463 A * 11/1999 Truwit 606/130
 6,006,126 A 12/1999 Cosman
 6,021,343 A 2/2000 Foley et al.
 6,044,304 A 3/2000 Baudino
 6,058,323 A 5/2000 Lemelson
 6,071,288 A 6/2000 Carol et al.
 6,076,008 A 6/2000 Bucholz
 6,110,182 A 8/2000 Mowlai-Ashtiani
 6,117,143 A * 9/2000 Hynes et al. 606/130
 6,120,465 A 9/2000 Guthrie et al.
 6,135,946 A 10/2000 Konen et al.
 6,179,826 B1 1/2001 Aebischer et al.
 6,206,890 B1 3/2001 Truwit
 6,210,417 B1 4/2001 Baudino et al.
 6,231,526 B1 5/2001 Taylor et al.
 6,236,875 B1 5/2001 Bucholz et al.
 6,254,532 B1 7/2001 Paolitto et al.
 6,257,407 B1 7/2001 Truwit et al.
 6,261,300 B1 7/2001 Carol et al.
 6,267,769 B1 7/2001 Truwit
 6,267,770 B1 7/2001 Truwit
 6,282,437 B1 8/2001 Franck et al.
 6,290,644 B1 9/2001 Green et al.
 6,298,262 B1 10/2001 Franck et al.
 6,315,770 B1 11/2001 De la Torre et al.
 6,321,104 B1 * 11/2001 Gielen et al. 600/378
 6,356,792 B1 3/2002 Errico et al.
 6,368,329 B1 4/2002 Truwit
 6,482,182 B1 11/2002 Carroll et al.
 6,529,765 B1 3/2003 Franck et al.
 6,537,232 B1 3/2003 Kucharczyk et al.
 6,546,279 B1 4/2003 Bova et al.
 6,609,020 B2 8/2003 Gill
 6,632,184 B1 10/2003 Truwit
 6,662,035 B2 12/2003 Sochor
 6,726,678 B1 4/2004 Nelson et al.
 6,752,812 B1 6/2004 Truwit
 6,773,443 B2 8/2004 Truwit
 6,782,288 B2 8/2004 Truwit et al.
 6,802,323 B1 10/2004 Truwit et al.
 6,902,569 B2 6/2005 Parmer et al.
 6,944,895 B2 9/2005 Truwit
 2001/0014771 A1 8/2001 Truwit et al.
 2001/0027271 A1 10/2001 Franck et al.
 2001/0037524 A1 11/2001 Truwit
 2002/0019641 A1 2/2002 Truwit
 2002/0052610 A1 5/2002 Skakoon et al.
 2002/0077646 A1 6/2002 Truwit et al.

2002/0156372 A1 10/2002 Skakoon et al.
 2003/0079287 A1 5/2003 Tuiwit
 2004/0059260 A1 3/2004 Truwit
 2004/0255991 A1 12/2004 Truwit et al.
 2004/0260323 A1 12/2004 Truwit et al.
 2004/0267284 A1 12/2004 Parmer et al.
 2006/0192319 A1 8/2006 Solar
 2006/0195119 A1 8/2006 Mazzocchi et al.

FOREIGN PATENT DOCUMENTS

DE 3937052 5/1990
 DE 29612100 9/1996
 DE 19726141 1/1999
 DE 19826078 8/1999
 DE 19808220 9/1999
 DE 19820808 11/1999
 EP 0386936 9/1990
 EP 0427358 5/1991
 EP 0609085 8/1994
 EP 0724865 A1 8/1996
 EP 0832611 A2 4/1998
 EP 0904741 A2 3/1999
 GB 2237993 5/1991
 GB 2329473 3/1999
 WO WO-88/09151 12/1988
 WO WO-95/22297 A1 8/1995
 WO WO-96/10368 A2 4/1996
 WO WO-96/33766 10/1996
 WO WO-97/03609 A1 2/1997
 WO WO-97/21380 A2 6/1997
 WO WO-97/42870 11/1997
 WO WO-98/17191 A1 4/1998
 WO WO-98/25535 A1 6/1998
 WO WO-00/01316 A1 1/2000
 WO WO-00/18306 A1 4/2000
 WO WO-01/24709 A1 4/2001
 WO WO-01/49197 A1 7/2001

OTHER PUBLICATIONS

“CRWTM—Tyco Healthcare Radionics”, *Tyco Product Brochure*, 7 pgs.
 “Fathom Remote Introducer”, *Image-Guided Neurologics, Inc.*, CNS Hynes Convention Center,(Oct. 30-Nov. 4, 1999), 2 pgs.
 “Leksell Stereotactic System”, *Elekta Product Brochure*, 6 pgs.
 Franck, J., et al., “microTargeting® Platform System incorporating StarFix™ guidance—User Manual”, *micro Targeting®*, 1-44.
 Grady, M., et al., “Nonlinear Magnetic Stereotaxis: Three-Dimensional, in vivo Remote Magnetic Manipulation of a Small Object in Canine Brain”, *Medical Physics*, 17 (3), (May/June 1990),pp. 405-415.
 Hata, N., et al., “Needle Insertion Manipulator for CT—and MR-Guided Stereotactic Neurosurgery”, *Interventional MR: Techniques and Clinical Experience*, St. Louis : London : Mosby ; Martin Dunitz, F. Jolesz and I. Young, eds.,(1998), 99-106.
 Hirschberg, H., et al., “Image-guided neurosurgery—MR compatible stereotactic equipment”, <http://www.medinnova.no/English/P51466ster.html>, (Mar. 29, 2001), 1 pg.
 Leggett, W. B., et al., “Surgical Technology—The Viewing Wand: A New System for Three-Dimensional Computed Tomography-Correlated Intraoperative Localization”, *Current Surgery*, (Dec. 1991), 674-678.
 Oliver, L., “Cup-And-Ball Chemopallidectomy Apparatus”, (1958),p. 401.
 Sandeman, D. S., et al., “Advances in image-directed neurosurgery: Preliminary experience with the ISG Viewing Wand compared with the Leksell G frame”, *British Journal of Neurosurgery*, 8, (1999),pp. 529-544.
 Yeh, H.-S., et al., “Implantation of intracerebral depth electrodes for monitoring seizures using the Pelorus stereotactic system guided by magnetic resonance imaging”, *J. Neurosurg.*, 78, (1993),pp. 138-141.

- Zinreich, S. J., et al., "Frameless Stereotaxic Integration of CT Imaging Data: Accuracy and Initial Applications", *Radiology*, 188 (3), (1993), pp. 735-742.
- Allison, S., et al., "Microchannel Plate Intensifier Response in Transverse Magnetic Field", *Electronic Letters*, 26, (Jun. 7, 1990), 770-771.
- Drake, J. M., et al., "ISG Viewing Wand System", *Neurosurgery*, 34 (6), (Jun. 1994), 1094-1097.
- Dyer, P. V., et al., "The ISG Viewing Wand: an Application to Atlanto-Axial Cervical Surgery Using the Le Fort I Maxillary Osteotomy", *British Journal of Oral and Maxillofacial Surgery*, 33, (1995), 370-374.
- Gillies, G., et al., "Magnetic Manipulation Instrumentation for Medical Physics Research", *Review of Scientific Instruments*, 65 (3), Review Article, (Mar. 1994), 533-562.
- Grady, M., et al., "Initial Experimental Results of a New Stereotaxic Hyperthermia System", *American College of Surgeons: 1998 Clinical Congress: Surgical Forum*, 39, (1998), 507-509.
- Grady, M., et al., "Magnetic Stereotaxis System for Neurosurgical Procedures", *Proc. 37th International Instrumentation Symp.*, San Diego, CA, (May 1991), 665-675.
- Gray, M., et al., "Magnetic Stereotaxis: A Technique to Deliver Stereotactic Hyperthermia", *Neurosurgery*, 27 (6), Technical Note, (Dec. 1990), pp. 1010-1016.
- Grady, M., et al., "Preliminary Experimental Investigation of in vivo Magnetic Manipulation: Results and Potential Application in Hyperthermia", *Medical Physics*, 16 (2), (Mar./Apr. 1989), pp. 263-272.
- Howard, M., et al., "Magnetic Movement of a Brain Thermoceptor", *Neurosurgery*, 24 (3), (1989), 444-448.
- Howard, M., et al., "Magnetic Neurosurgery", *Stereotactic and Functional Neurosurgery*, 66, (1996), 102-107.
- Howard, M., et al., "Magnetic Neurosurgery: Image-Guided, Remote-Controlled Movement of Neurosurgical Implants", *Ch. 26 In: Clinical Neurosurgery; Proceedings of the Congress of Neurological Surgeons*, San Francisco, CA, (1995), 382-391.
- Howard, M., et al., "Review of Magnetic Neurosurgery Research", *J. Image Guided Surgery*, 1, (Nov. 1995), 295-299.
- Lawson, M., et al., "Near Real-Time Bi-planar Fluoroscopic Tracking System for the Video Tumor Fighter", *SPIE*, 1445, (1991), 265-275.
- Leggett, W. B., et al., "Surgical Technology—The Viewing Wand: A New System for Three-Dimensional Computed Tomography-Correlated Intraoperative Localization", *Current Surgery*, (1991), 674-678.
- Malison, R. T., et al., "Computer-Assisted Coregistration of Multislice SPECT and MR Brain Images by Fixed External Fiducials", *Journal of Computer Assisted Tomography*, 17 (16), (1993), pp. 952-960.
- McNeil, R., et al., "Characteristics of an Improved Magnetic-Implant Guidance System", *IEEE Transactions on Biomedical Engineering*, 42 (8), (Aug. 1995), 802-808.
- McNeil, R., et al., "Functional Design Features and Initial Performance Characteristics of a Magnetic-Implant Guidance System for Stereotactic Neurosurgery", *IEEE Transactions on Biomedical Engineering*, 42 (8), (1995), 793-801.
- Meeker, D., et al., "Optimal Realization of Arbitrary Forces in a Magnetic Stereotaxis System", *IEEE Transactions on Magnetics*, 32 (2), (Mar. 1996), 320-328.
- Molloy, J., et al., "Experimental Determination of the Force Required for Insertion of a Thermoseed into Deep Brain Tissues", *Annals of Biomedical Engineering*, 18, (1990), 299-313.
- Molloy, J., et al., "Thermodynamics of Movable Inductively Heated Seeds for the Treatment of Brain Tumors", *Medical Physics*, 18 (4), (1991), 794-803.
- Quate, E., et al., "Goniometric Motion Controller for the Superconducting Coil in a Magnetic Stereotaxis System", *IEEE Transactions on Biomedical Engineering*, 38 (9), (Sep. 1991), 899-905.
- Ramos, P., et al., "Electro-Optic Imaging Chain for a Biplanar Fluoroscopy for Neurosurgery: Magnetic Field Sensitivity and Contrast Measurements", *Optical Engineering* 32 (7), (1993), 1644-1656.
- Ramos, P., et al., "Low-Dose, Magnetic Field-Immune, Bi-Planar Fluoroscopy for Neurosurgery", *Proc. SPIE, 1443 (Medical Imaging V: Image Physics)*, (1991), 160-170.
- Ramos, P., et al., "Microchannel Plate Image Intensifier Electron Dynamics in Magnetic Field", *Electronics Letters*, 27 (18), (Aug. 29, 1991), pp. 1636-1638.
- Ritter, R., et al., "Magnetic Stereotaxis: An Application of Magnetic Control Technology to the Needs of Clinical Medicine", *Proc. of the MAG'95 Industrial Conf. and Exhibition*, Technomic Pub. Co., Lancaster, PA., Allaire, P., ed., (1995), 186-193.
- Ritter, R., et al., "Magnetic Stereotaxis: Computer-Assisted, Image-Guided Remote Movement of Implants in the Brain", *Ch. 26 In: Computer-Integrated Surgery; Technology and Clinical Applications*, MIT Press, Cambridge, MA., Taylor, R., et al., eds., (1996), 363-369.
- Ritter, R., et al., "Stereotaxie Magnetique: Deplacement D'Implants dans le Cerveau, Assistes par Ordinateur et Guides par Imagerie.", *Innovation et Technologie en Biologie et Medecine*, 13, (1992), 437-449.
- Sandeman, D. R., et al., "Advances in image-Directed Neurosurgery: Preliminary Experience With the ISG Viewing Wand Compared With the Leksell G Frame", *British Journal of Neurosurgery*, 8, (199), 529-544.
- Szikora, I., et al., "Endovascular Treatment of Experimental Aneurysms with Liquid Polymers: The Protective Potential of Stents", *Neurosurgery*, 38, (Feb. 1996), 339-347.
- Zinreich, S. J., "Frameless Stereotaxic Integration of CT Imaging Data: Accuracy and Initial Applications", *Radiology*, 188 (3), (1993), 735-742.

* cited by examiner

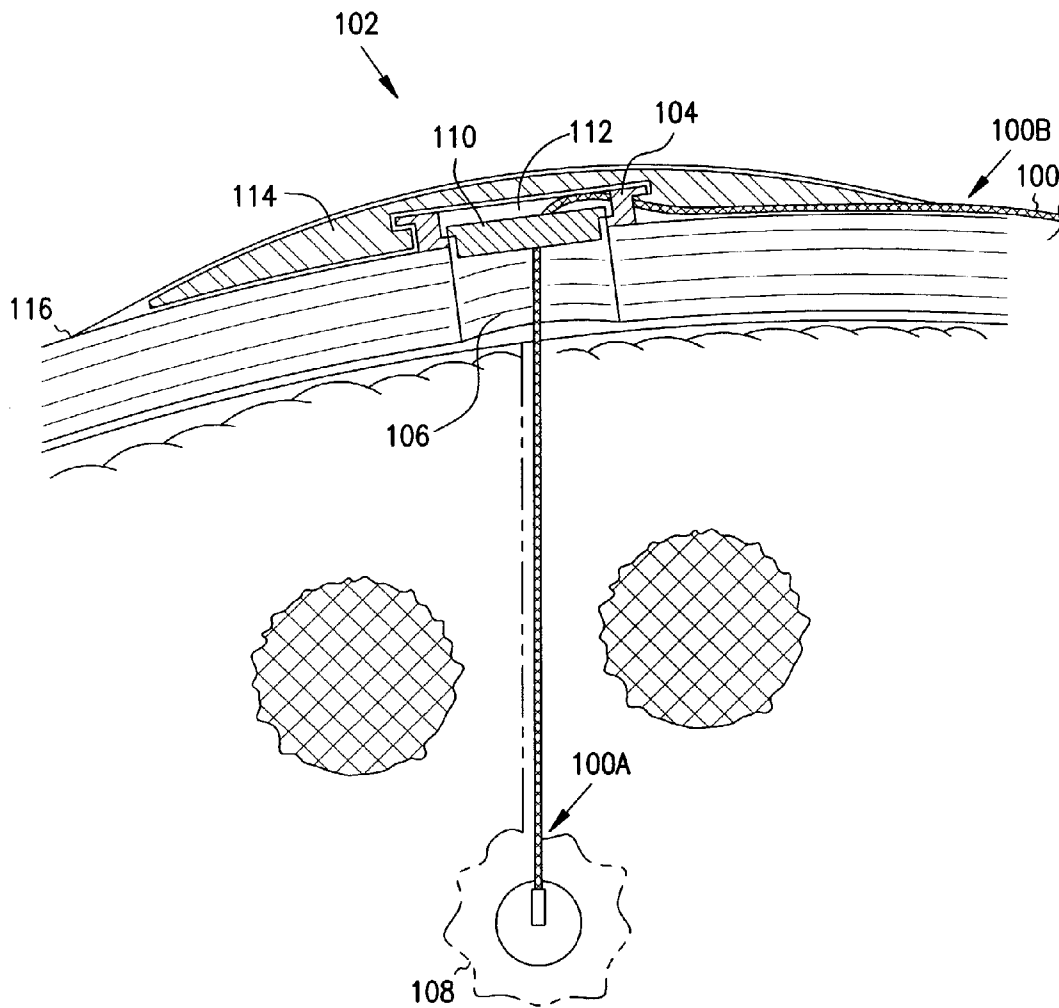


FIG. 1

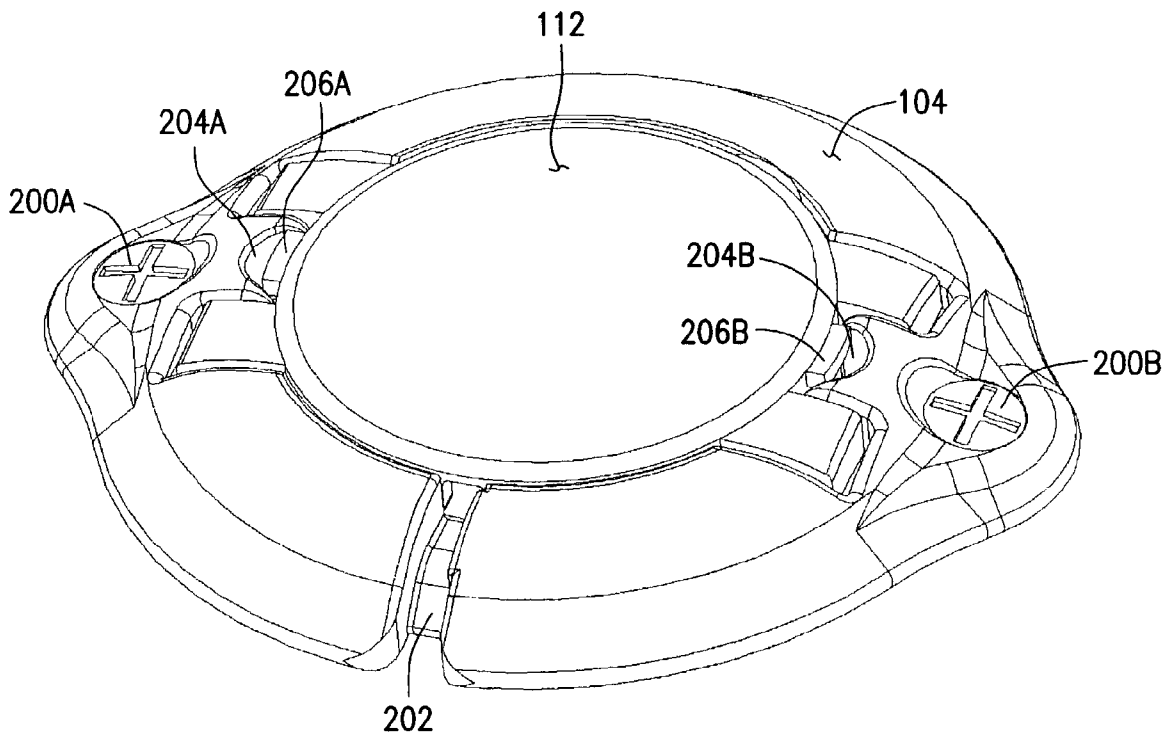


FIG. 2

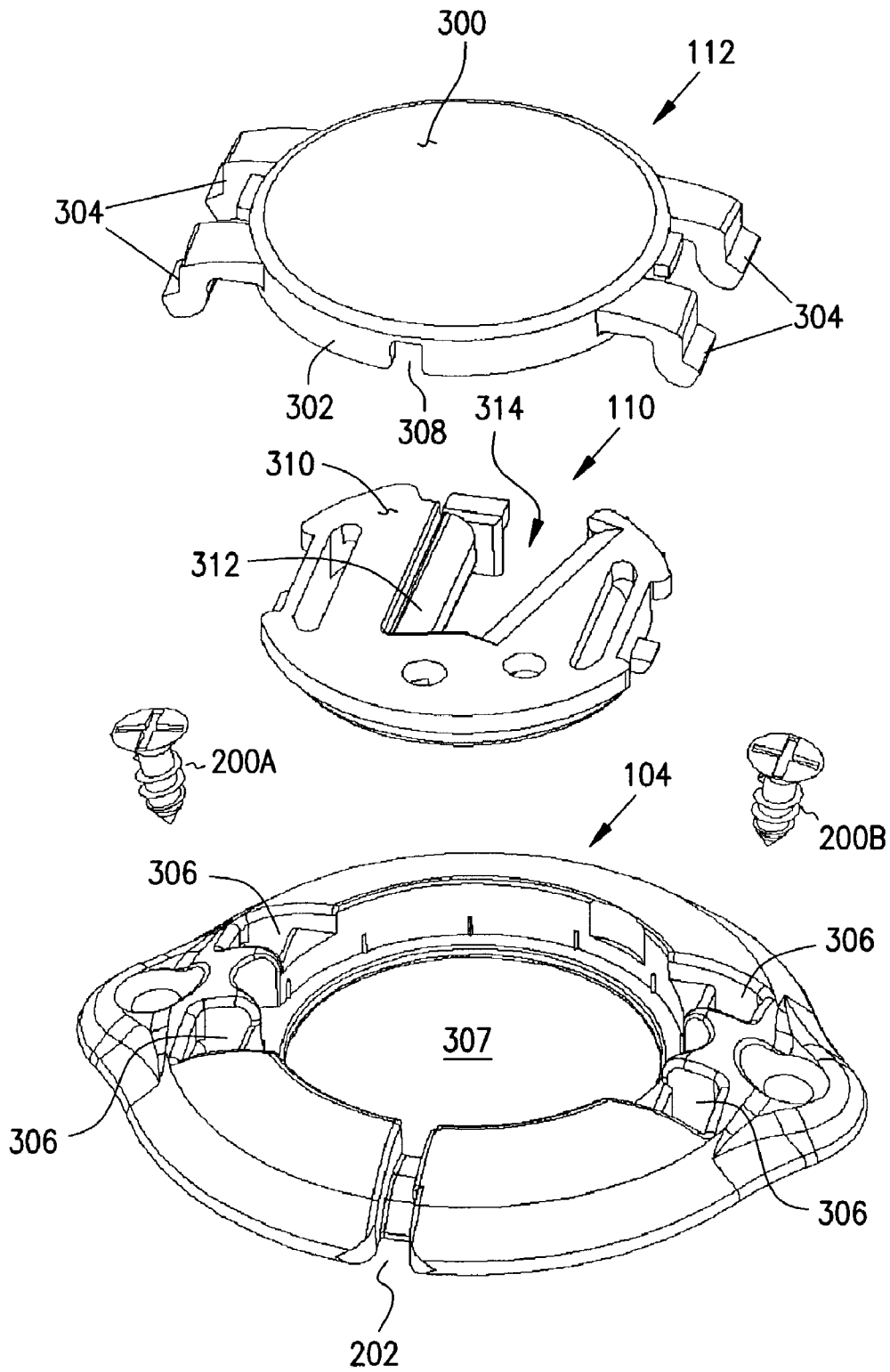


FIG. 3

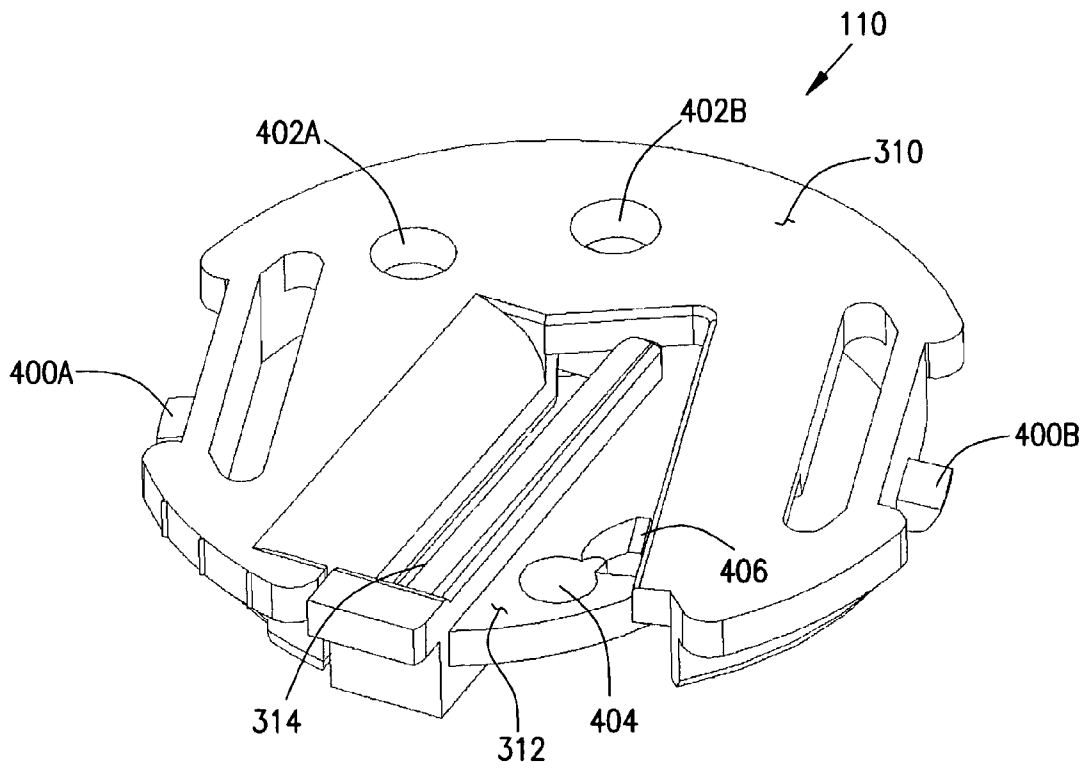


FIG. 4

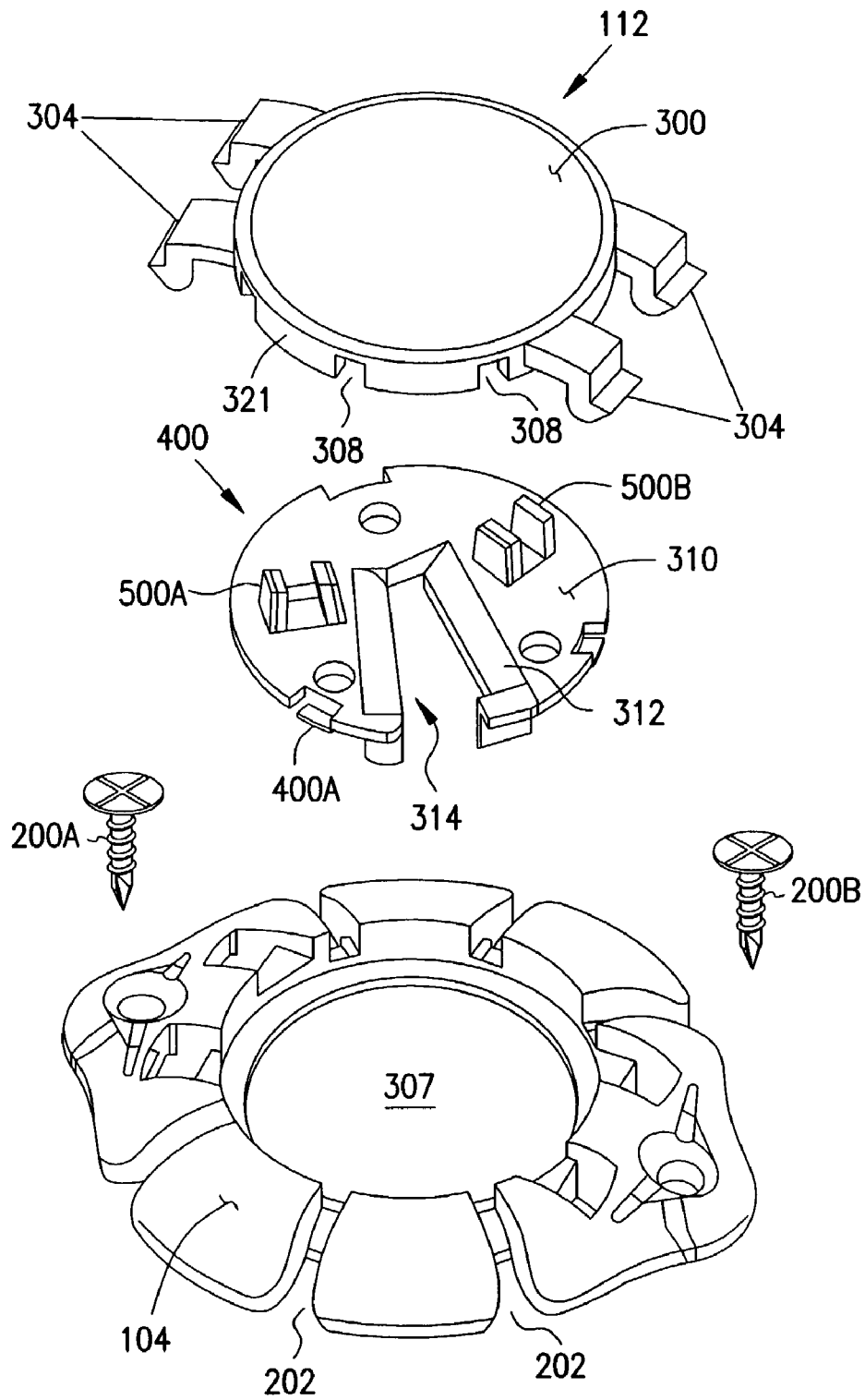


FIG. 5

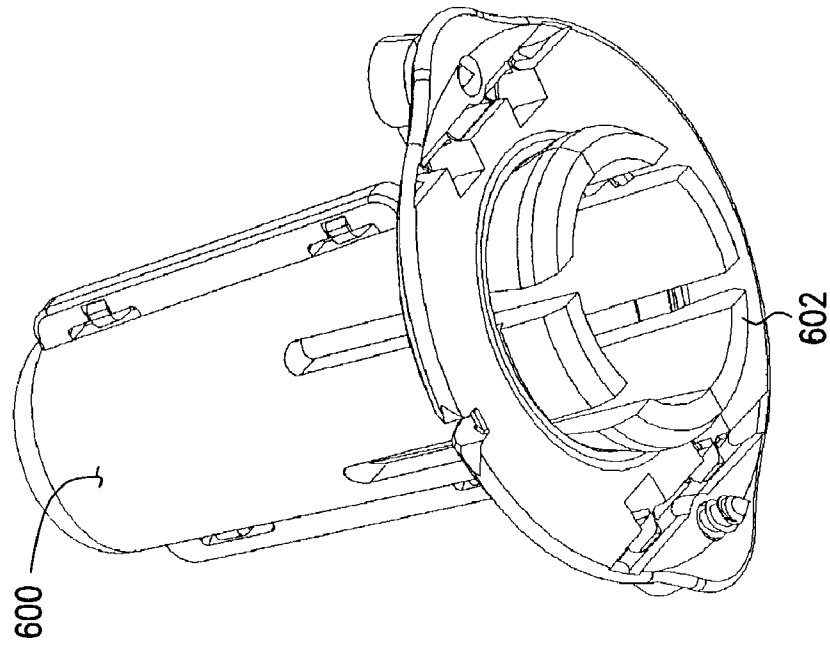


FIG. 6A

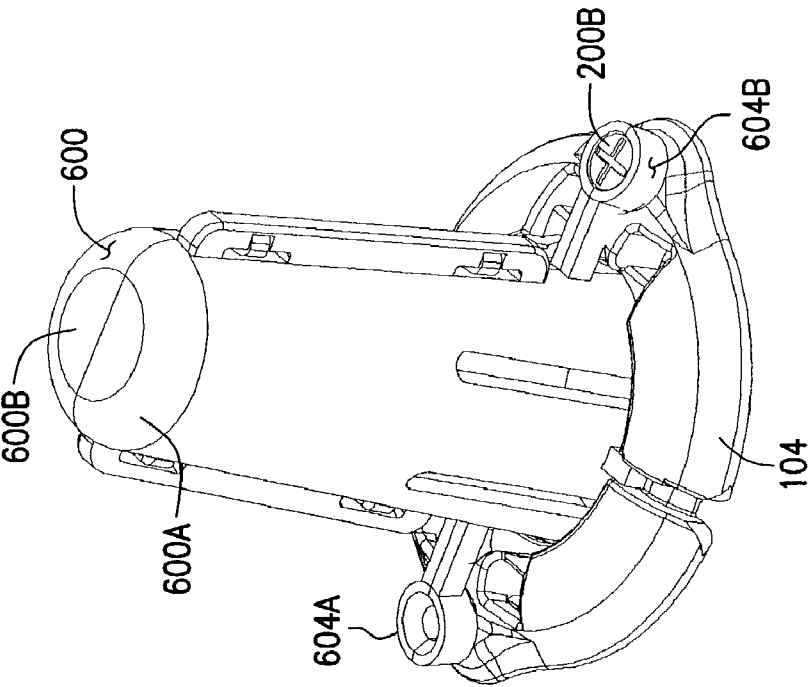


FIG. 6B

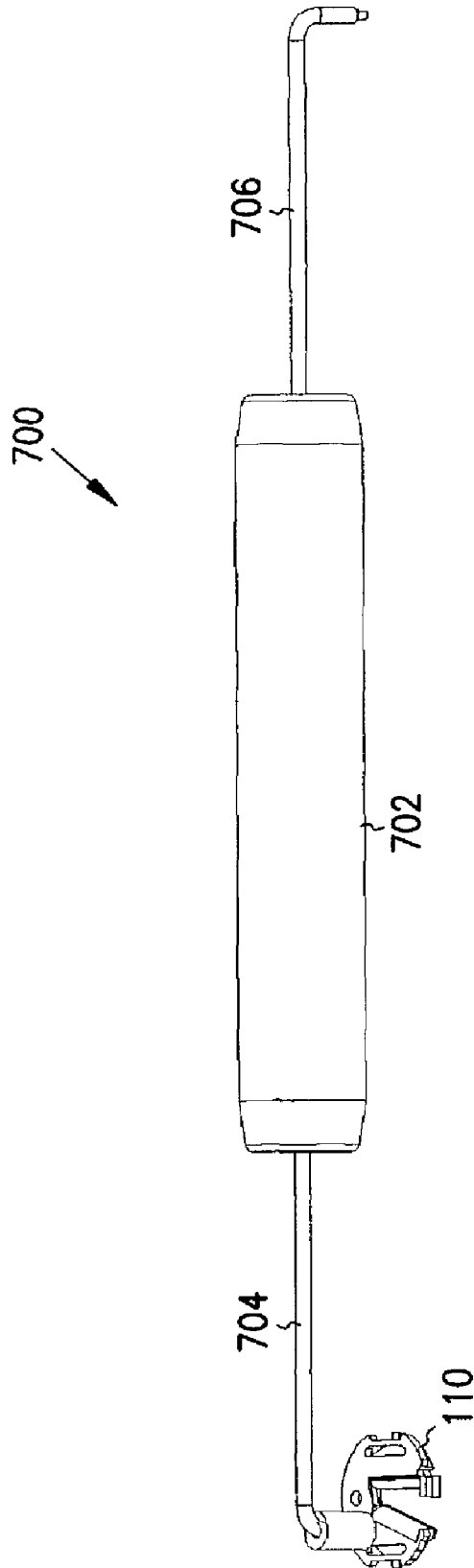


FIG. 7

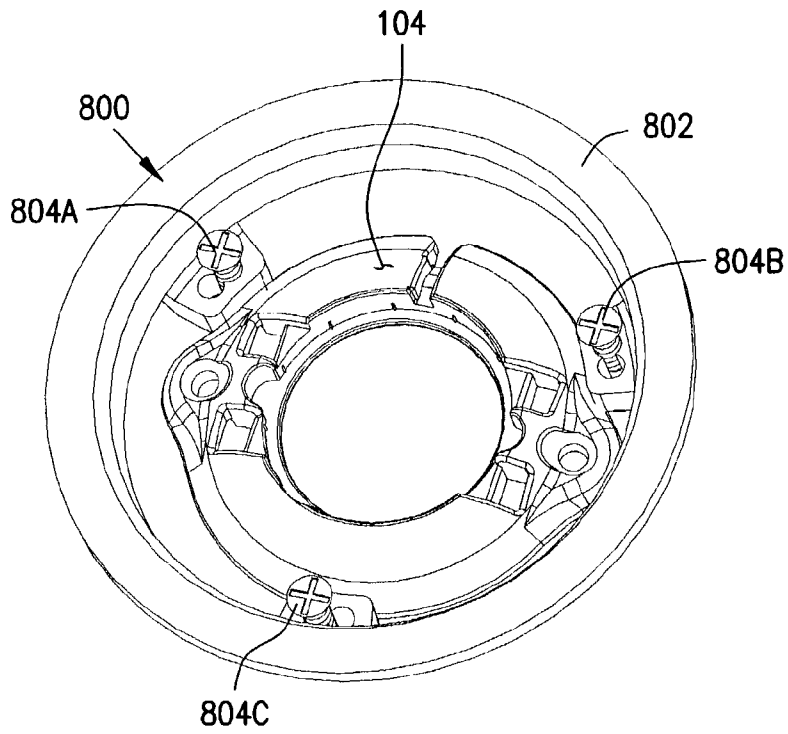


FIG. 8

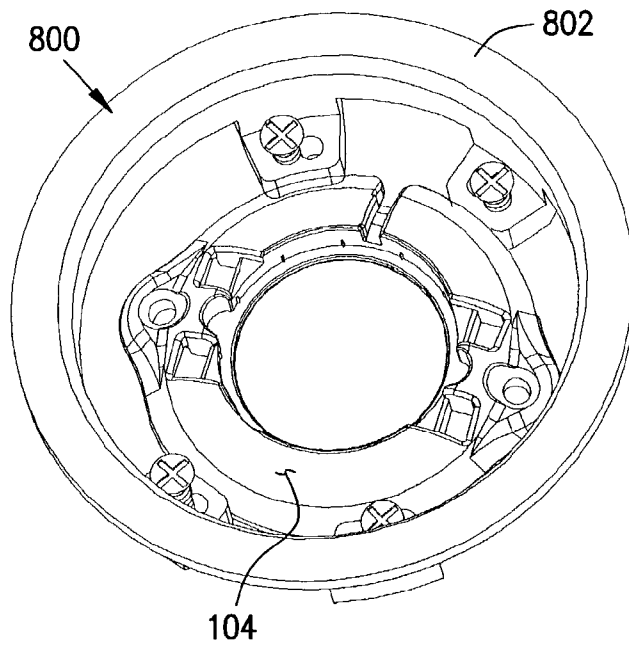


FIG. 9

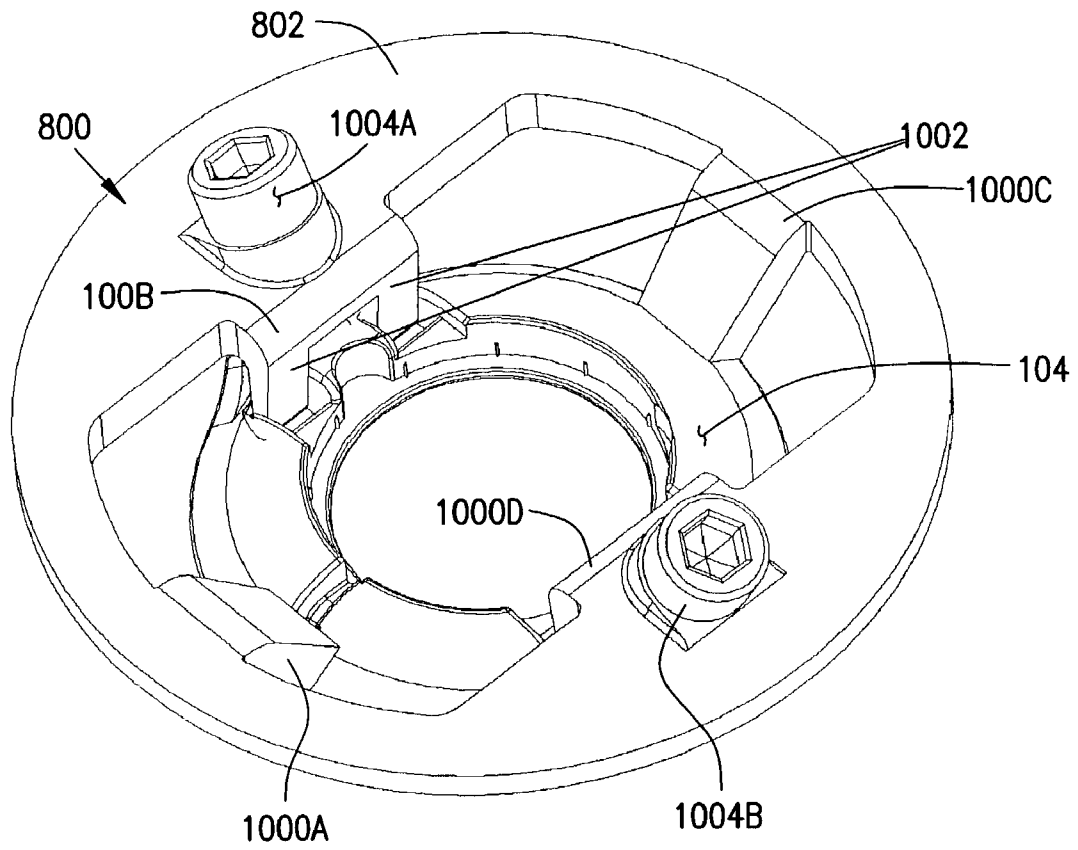


FIG. 10

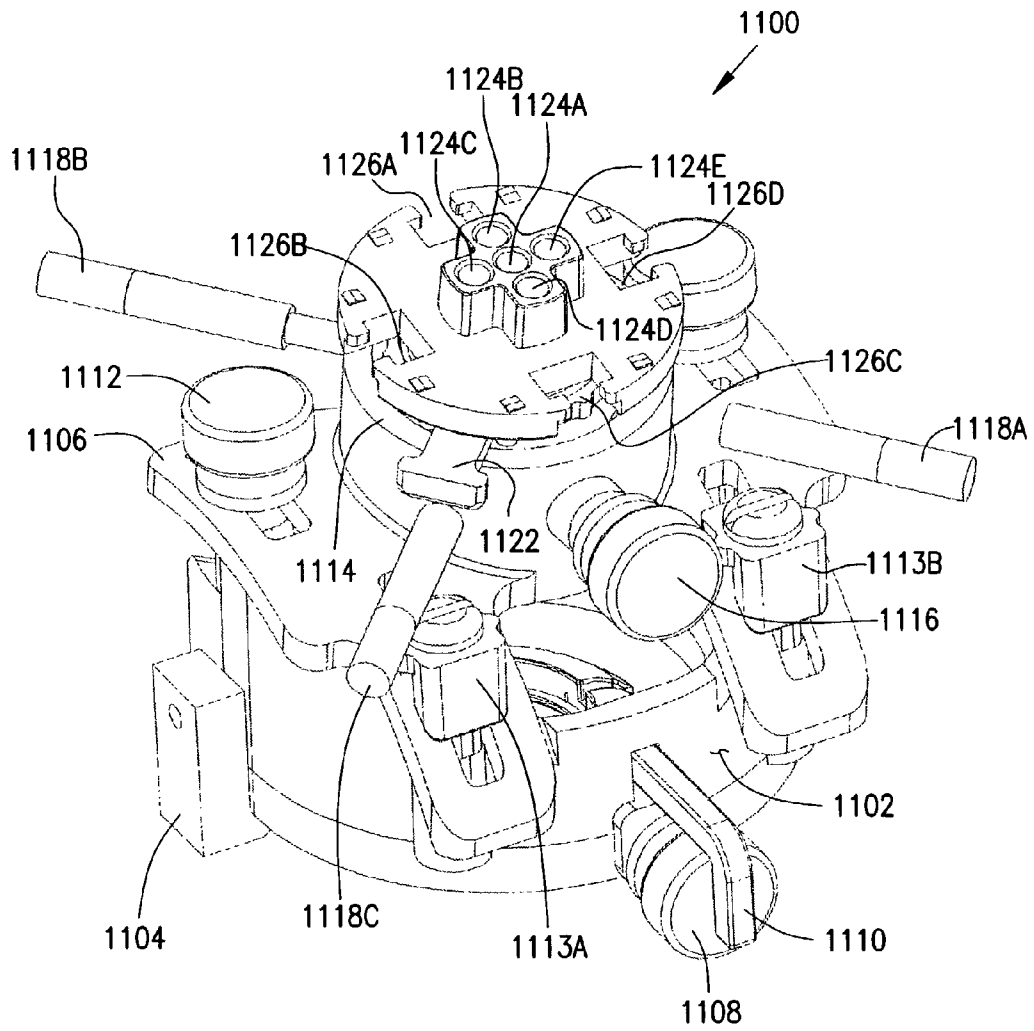


FIG. 11

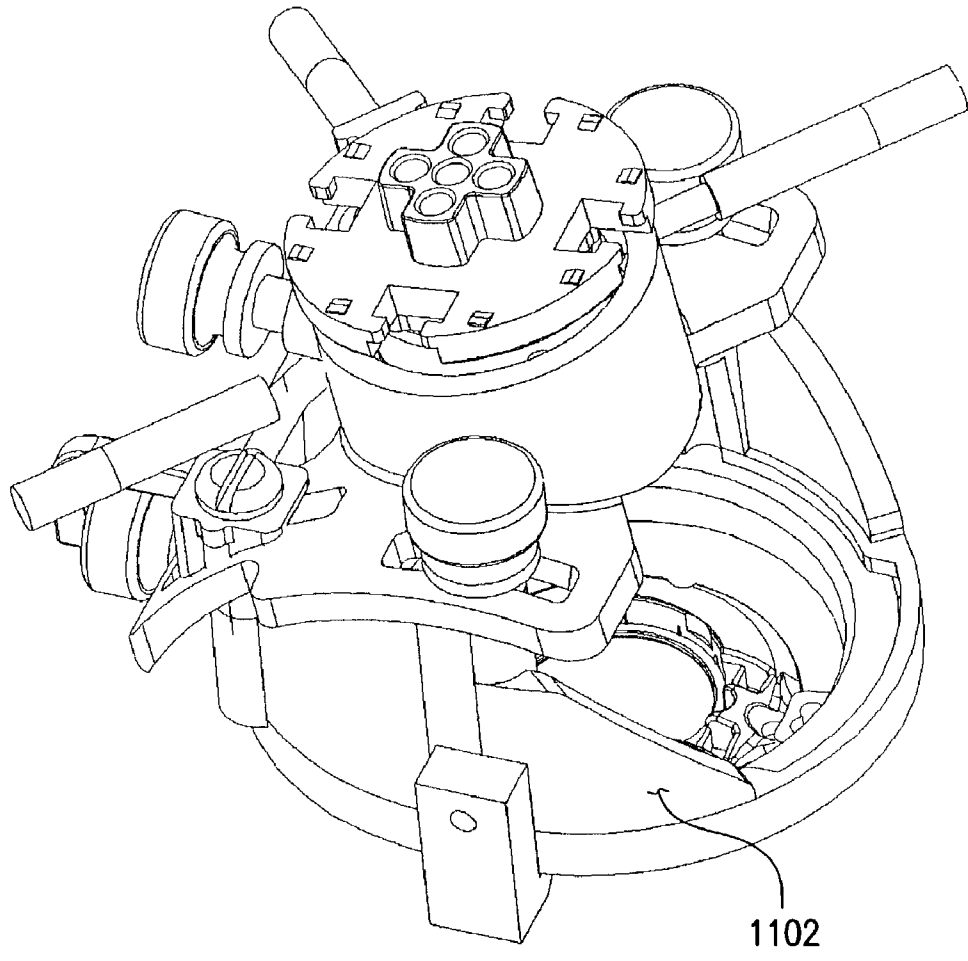


FIG. 12

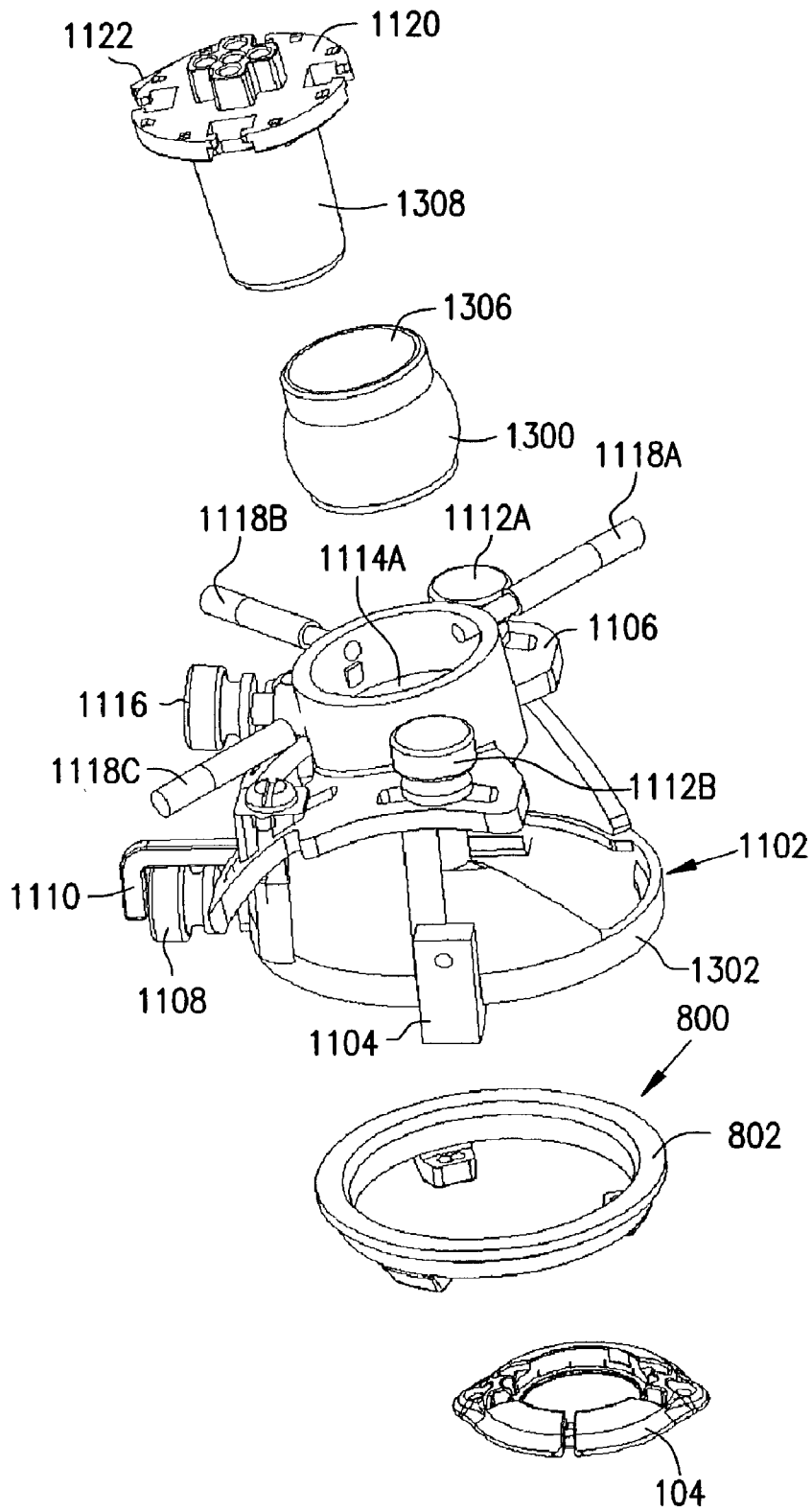


FIG. 13

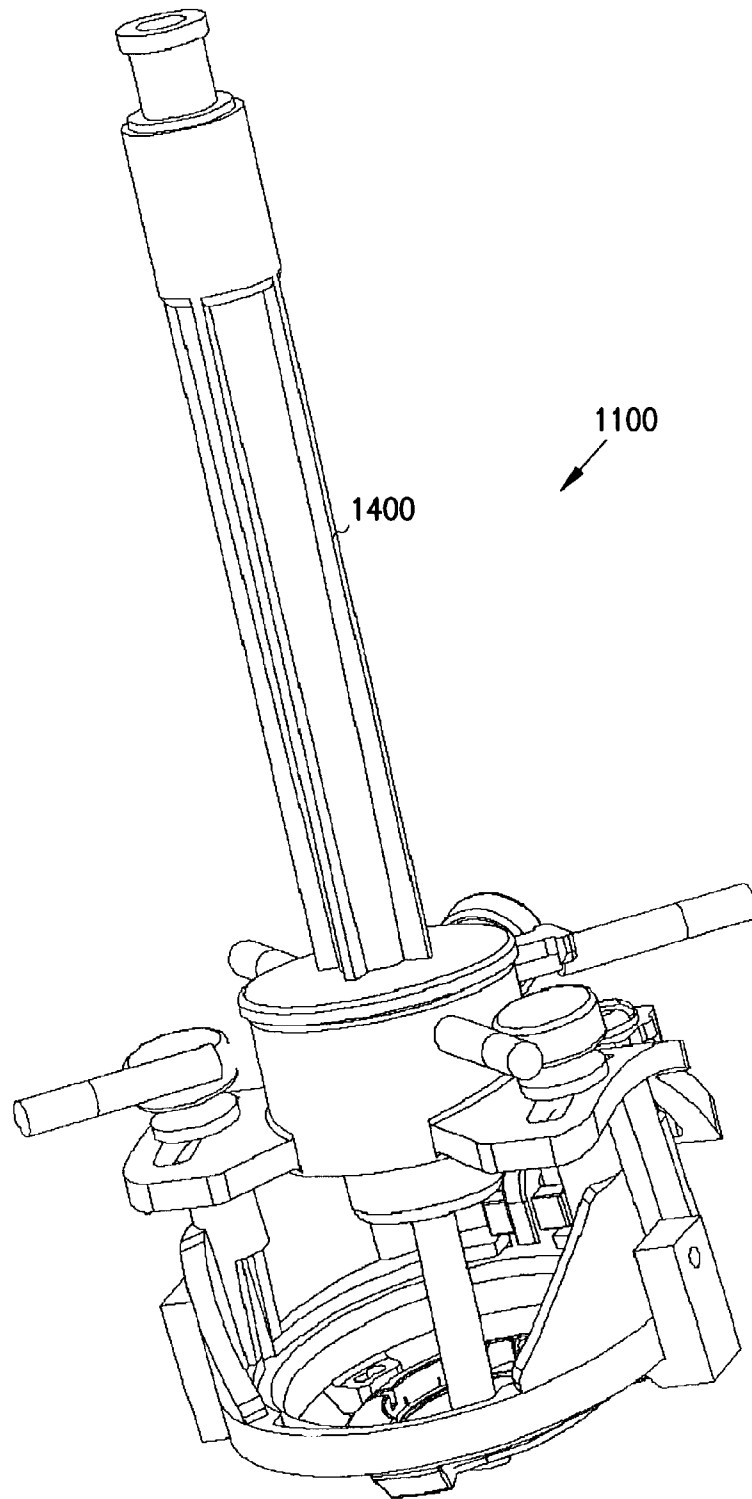


FIG. 14

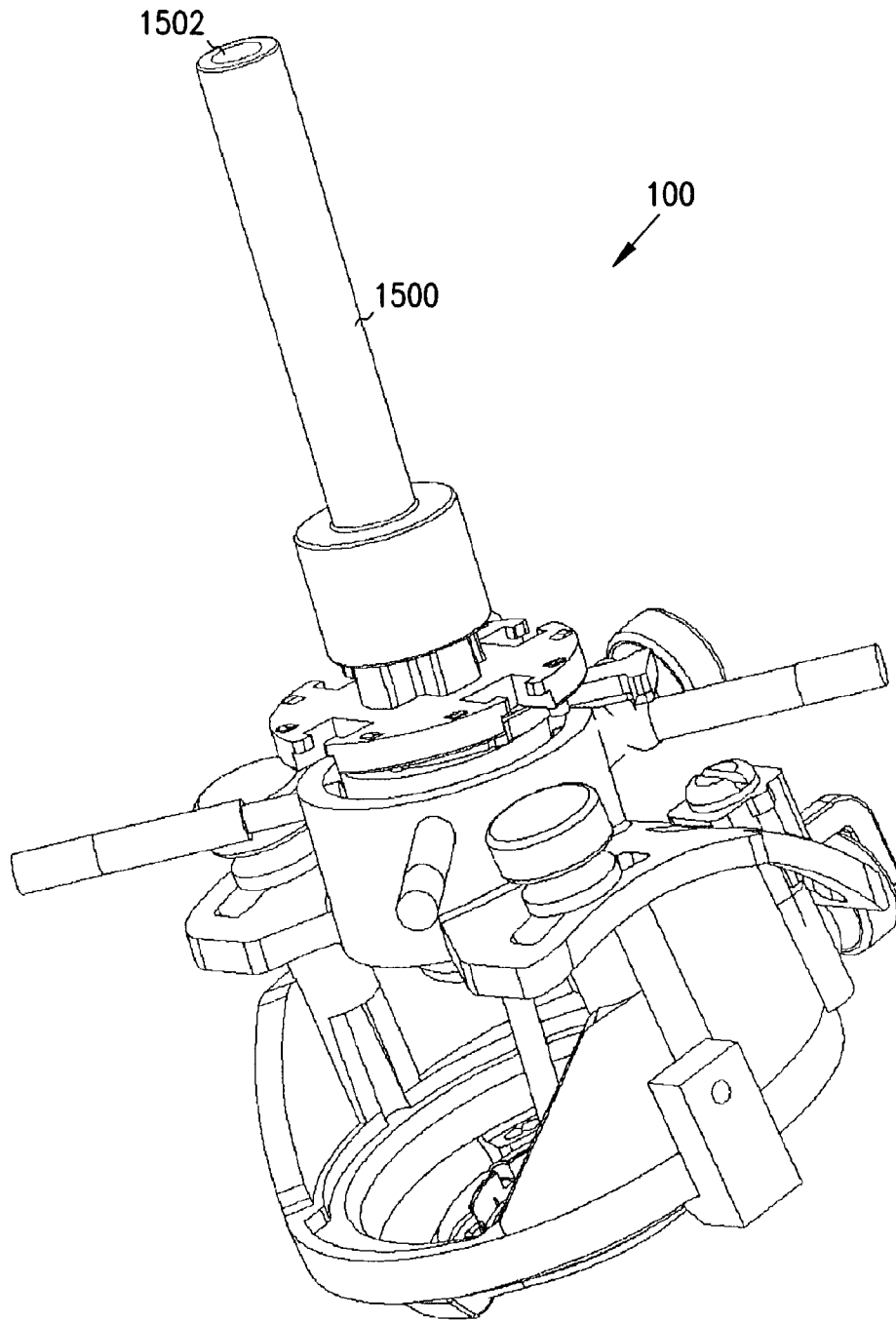


FIG. 15

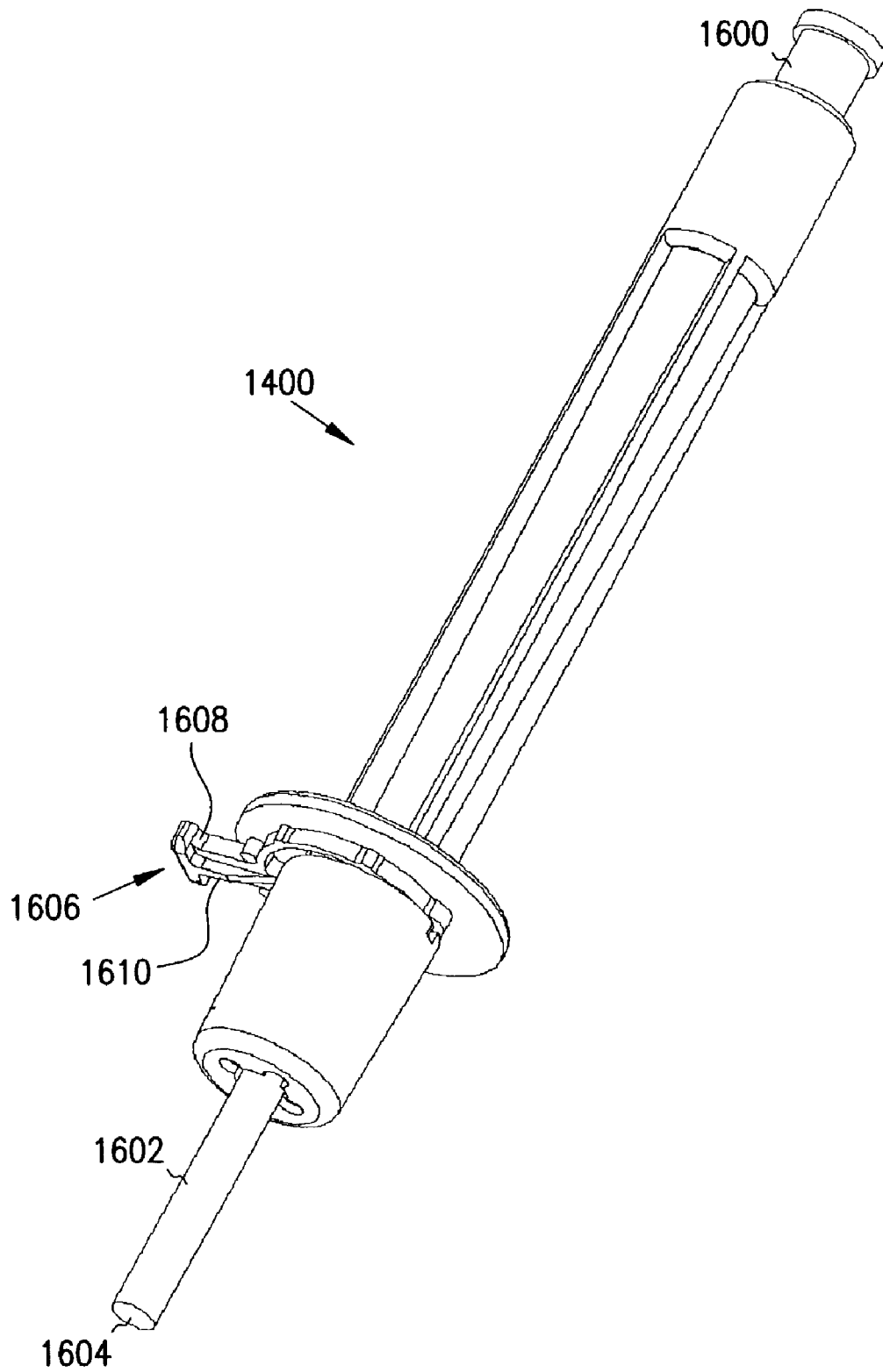


FIG. 16

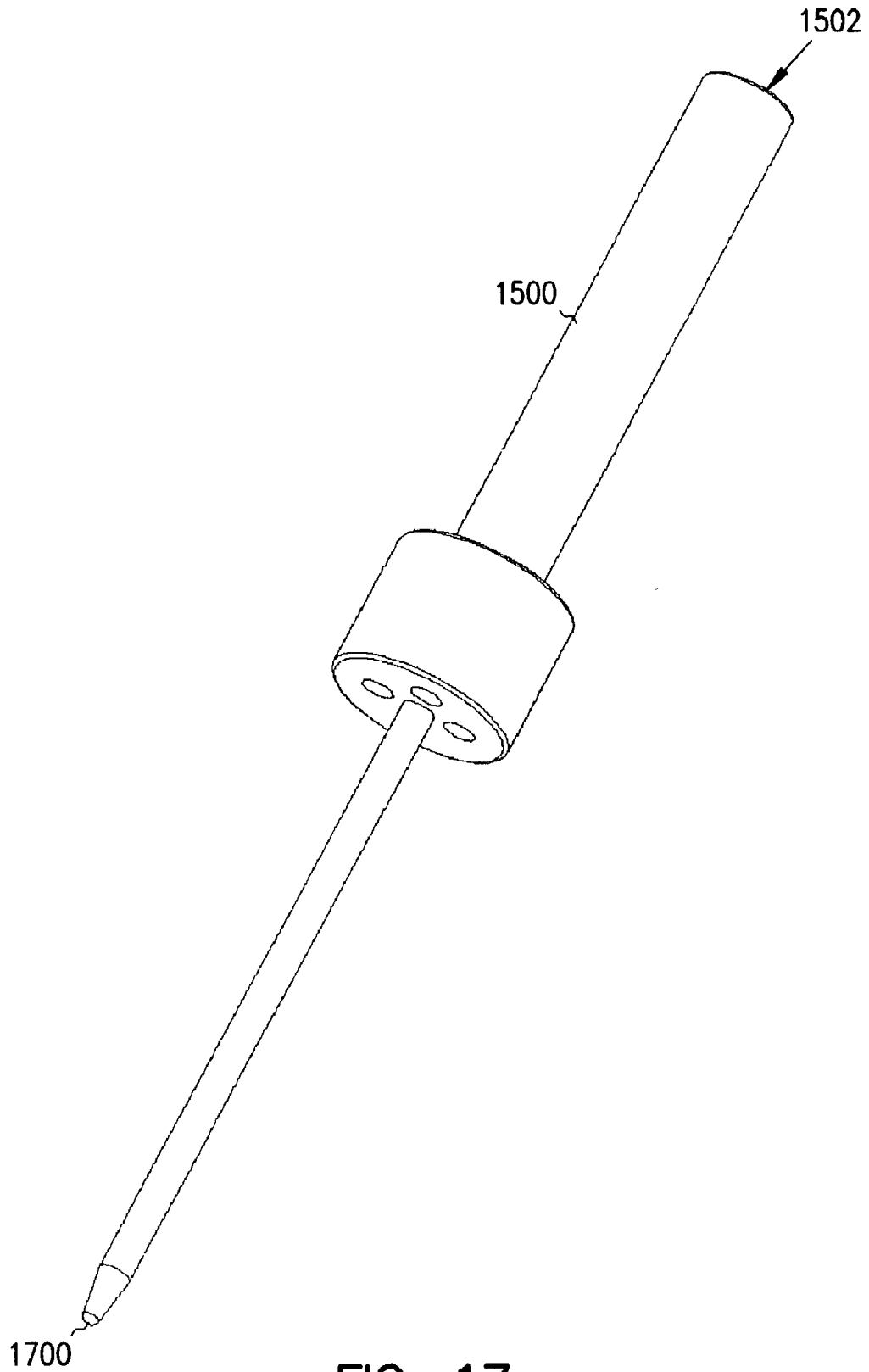


FIG. 17

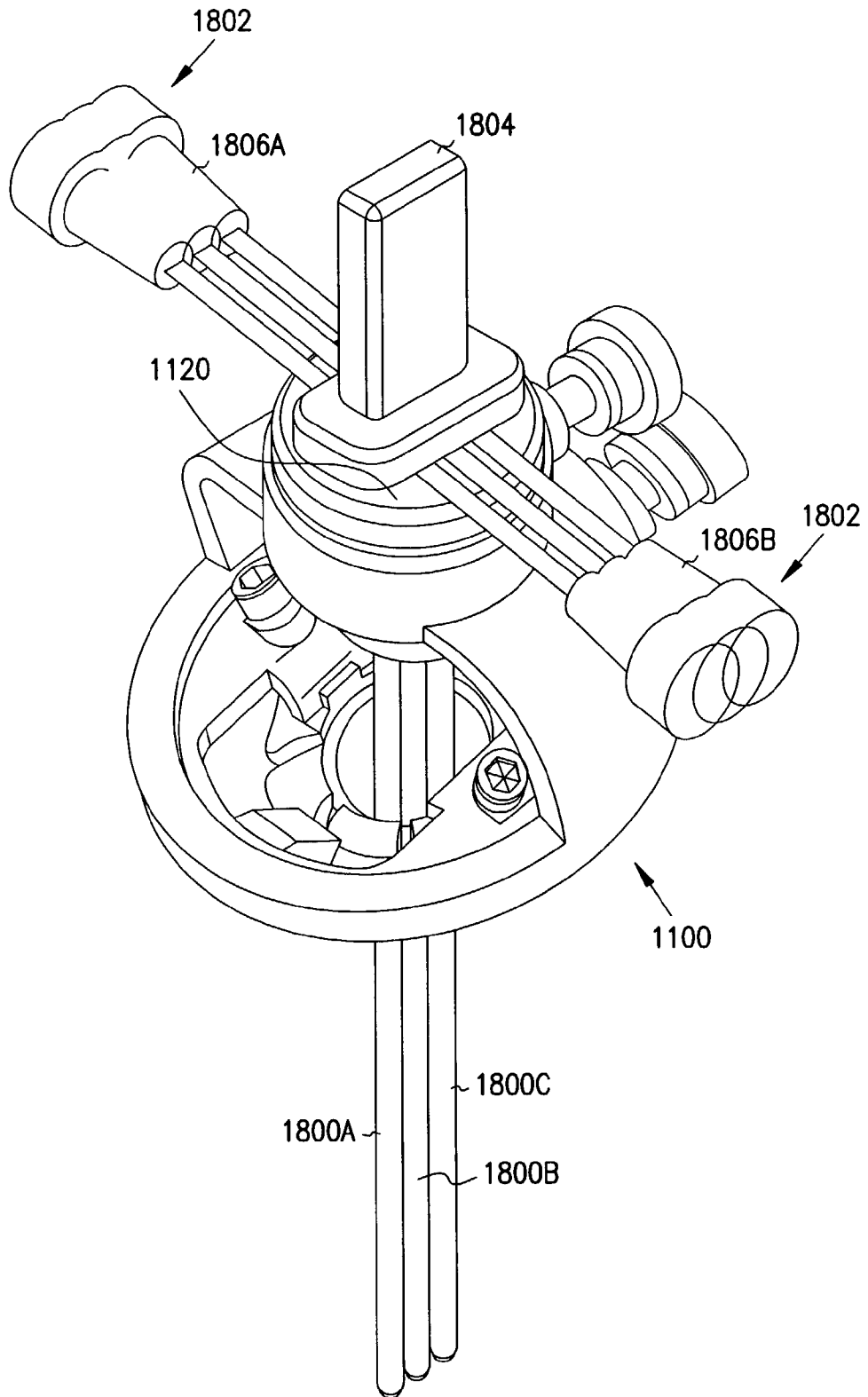


FIG. 18

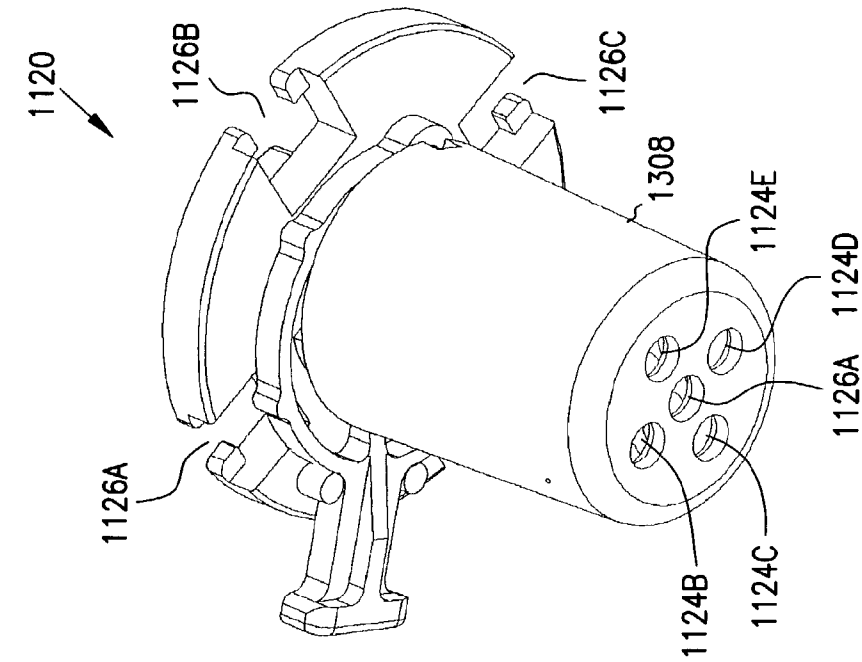


FIG. 19B

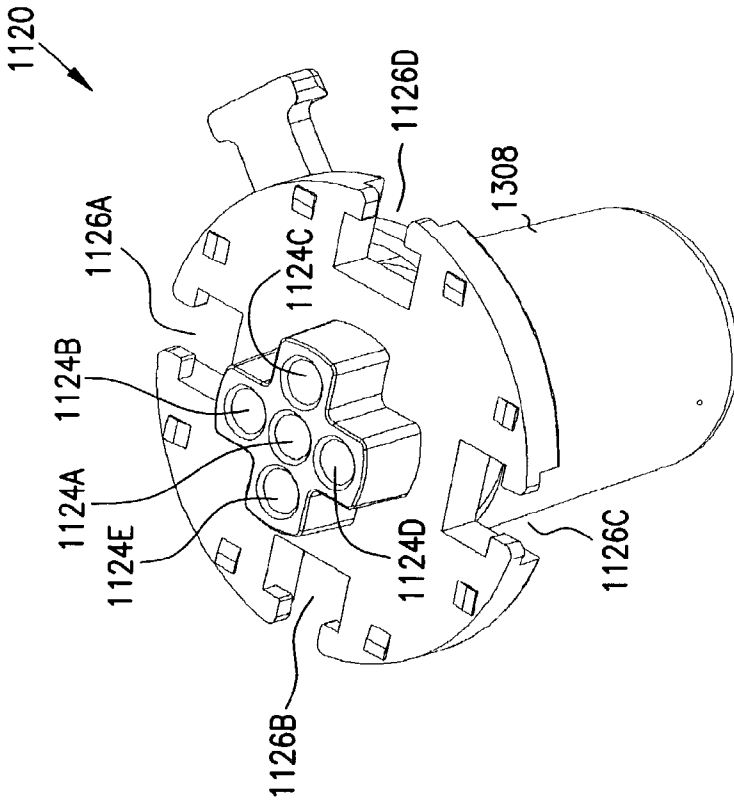


FIG. 19A

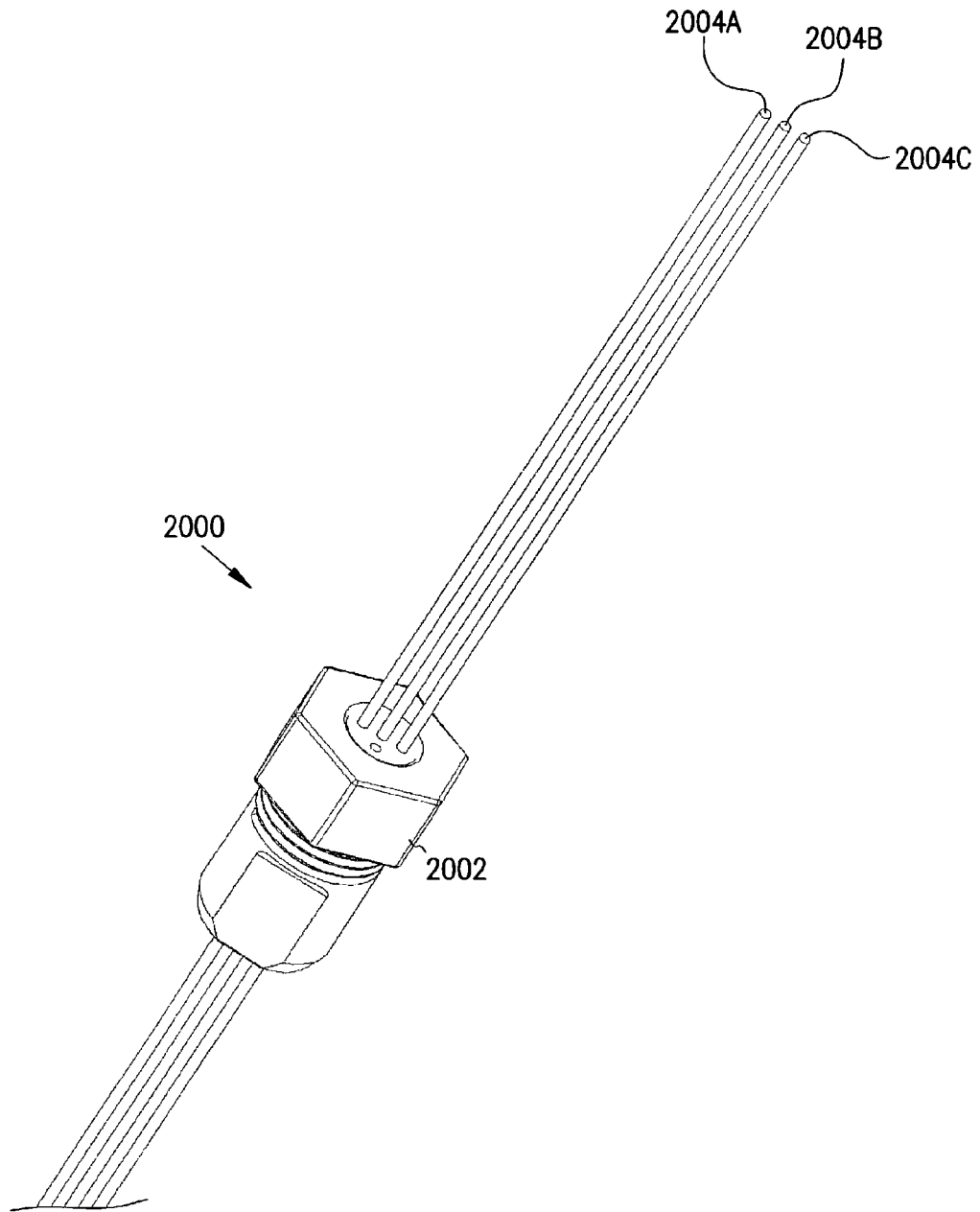


FIG. 20

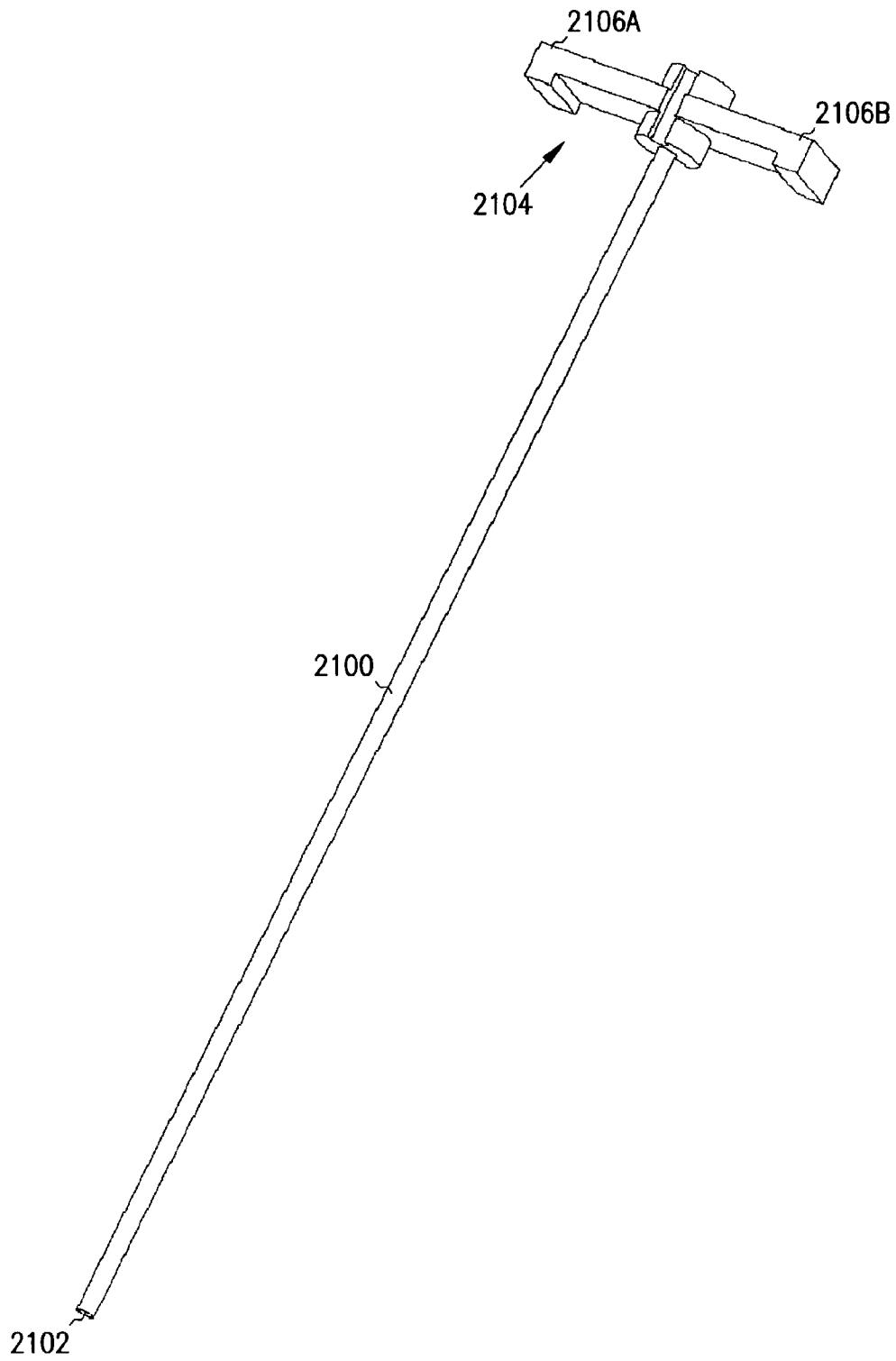


FIG. 21

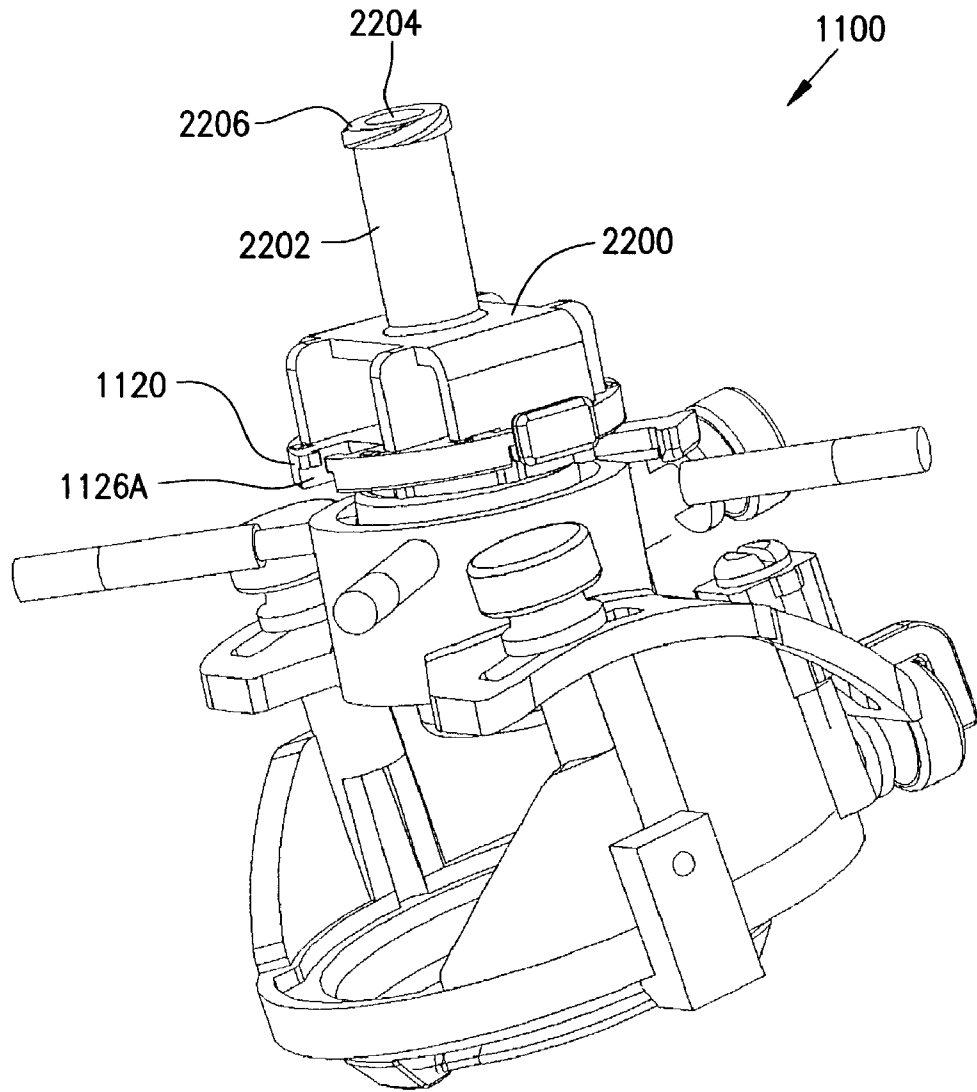


FIG. 22

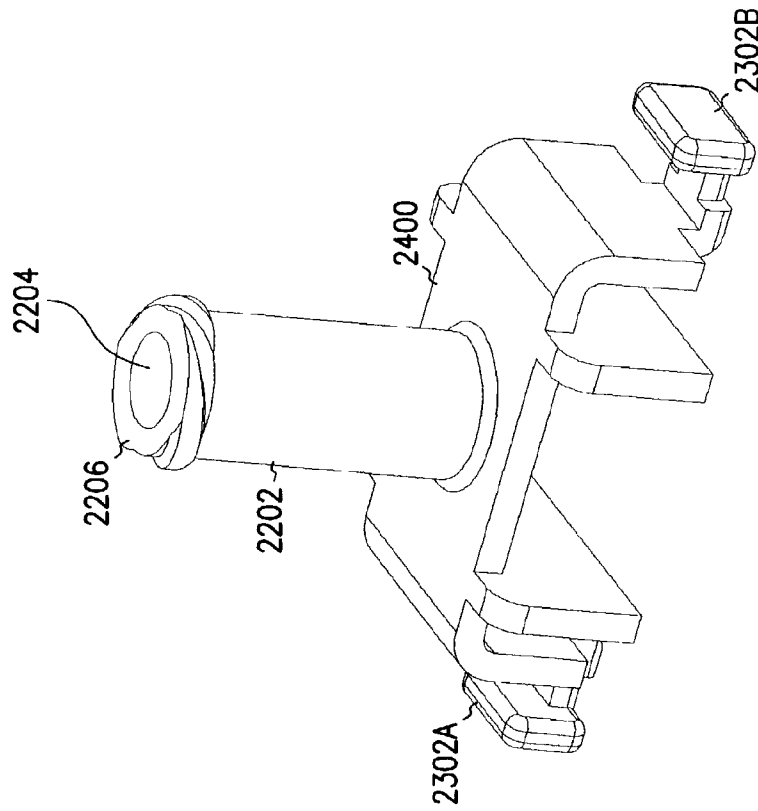


FIG. 24

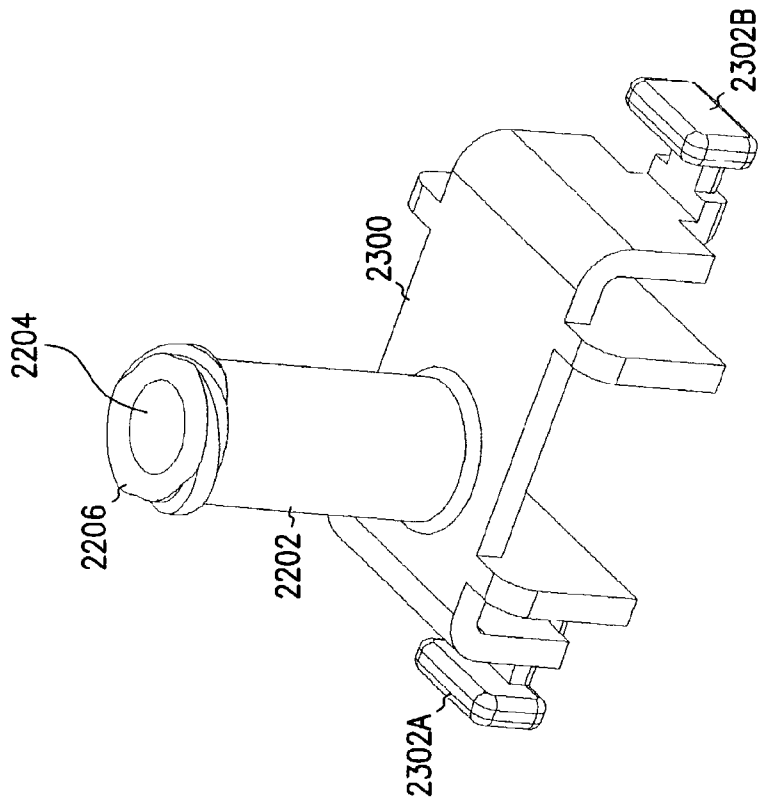


FIG. 23

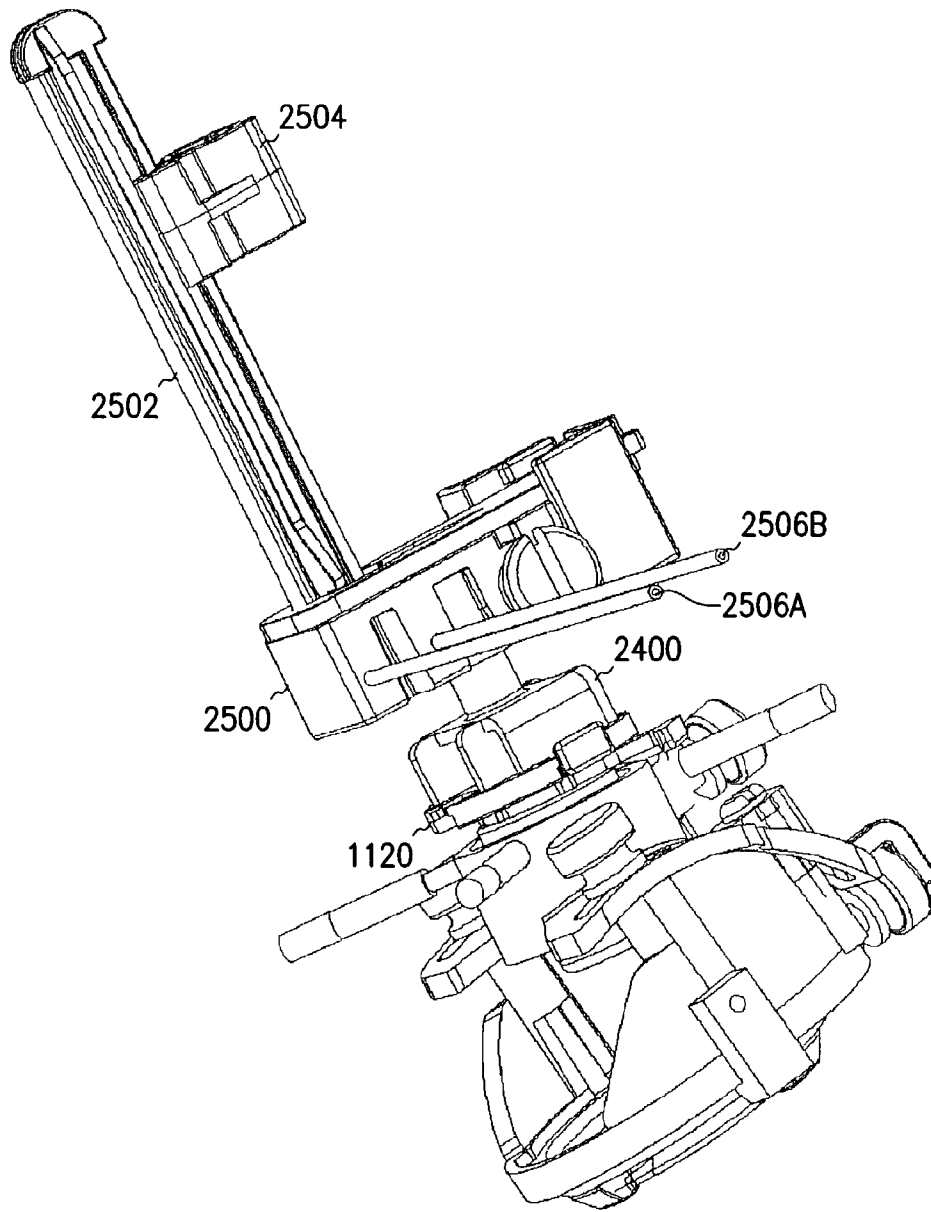


FIG. 25

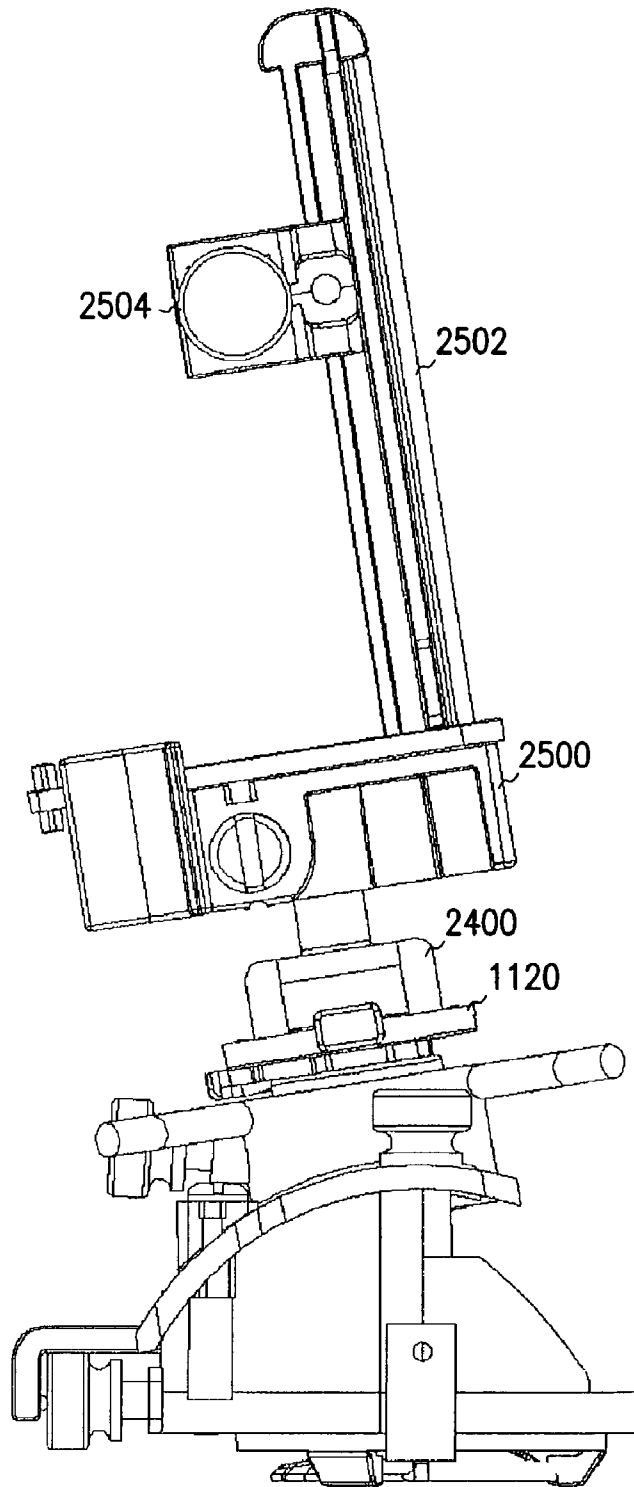


FIG. 26

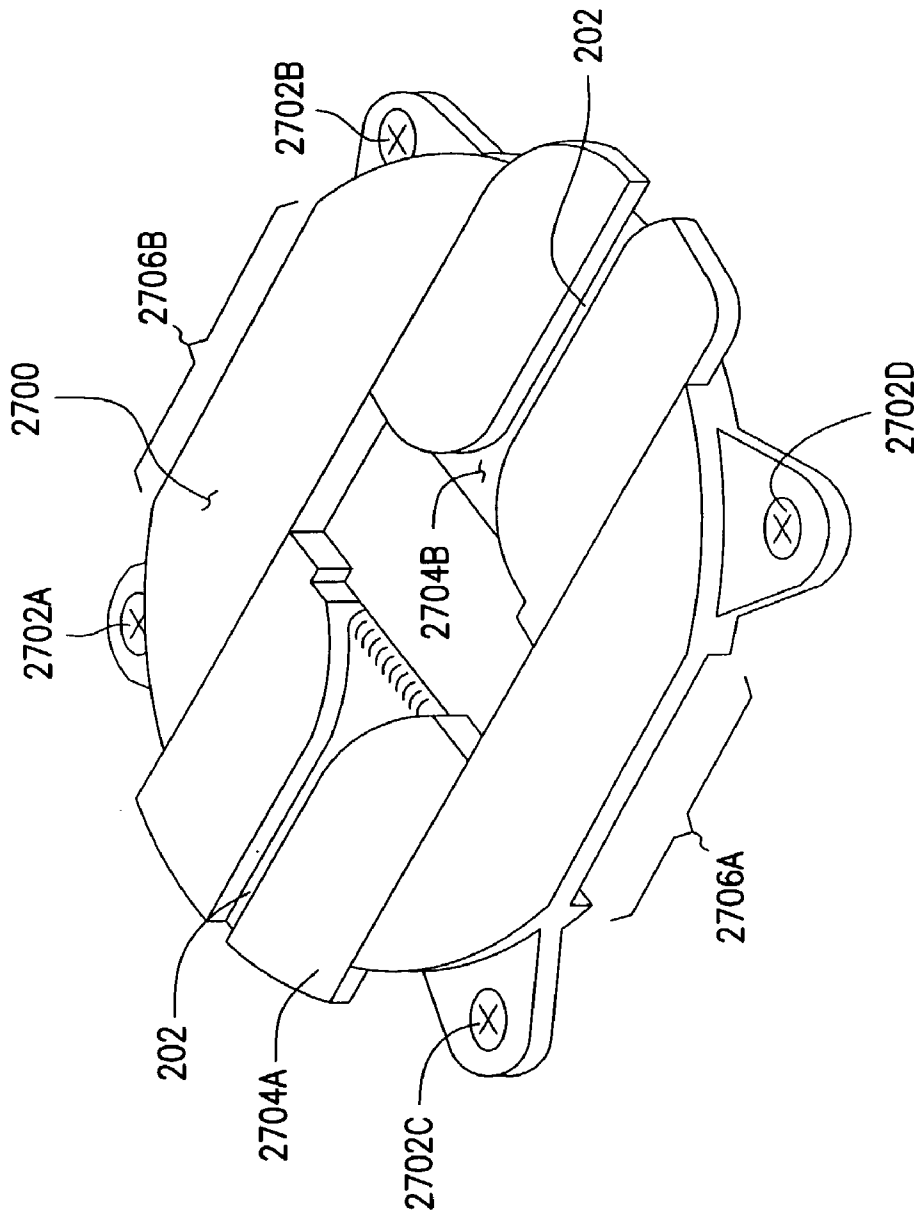


FIG. 27

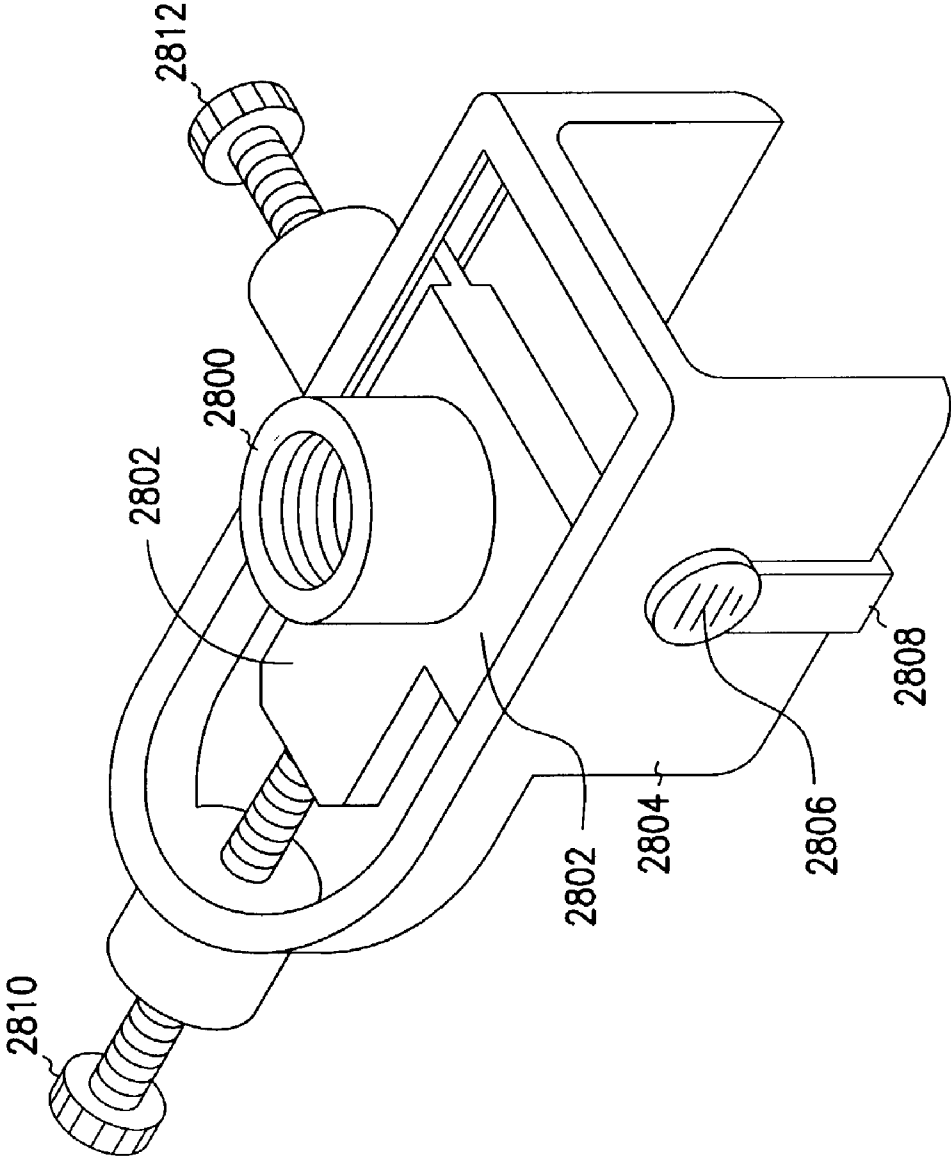


FIG. 28

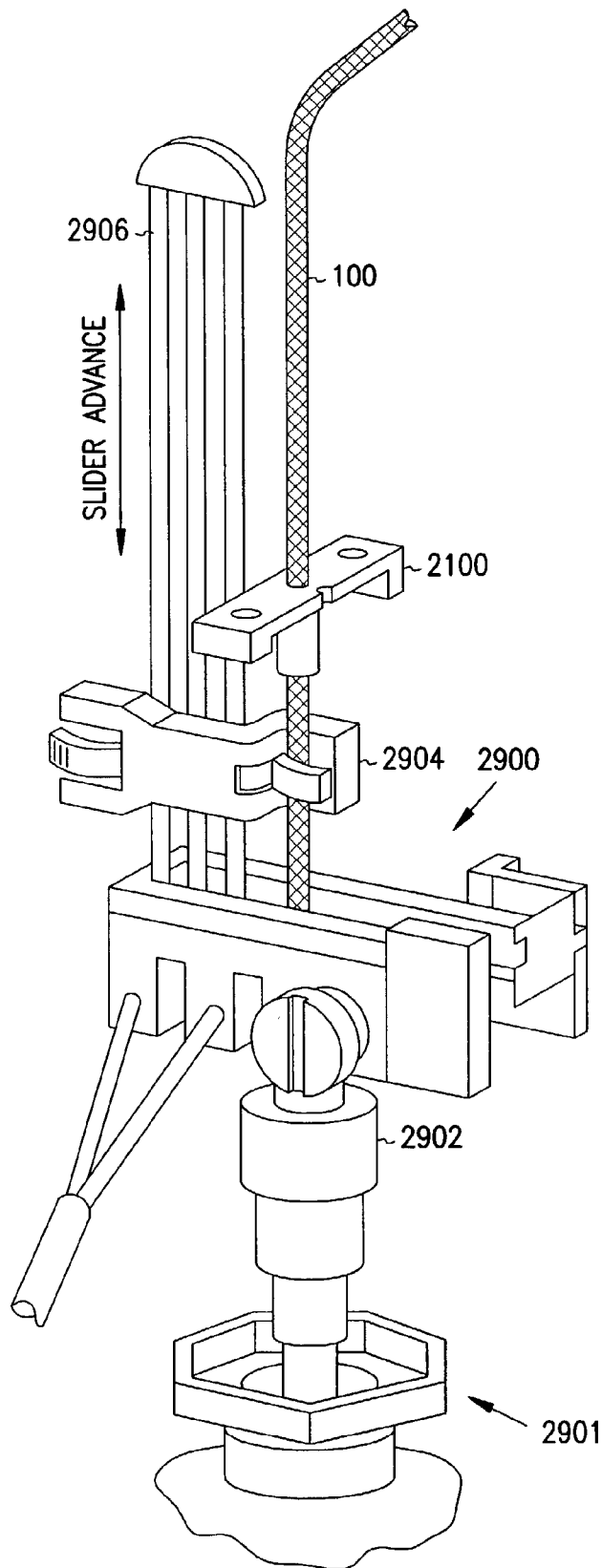


FIG. 29

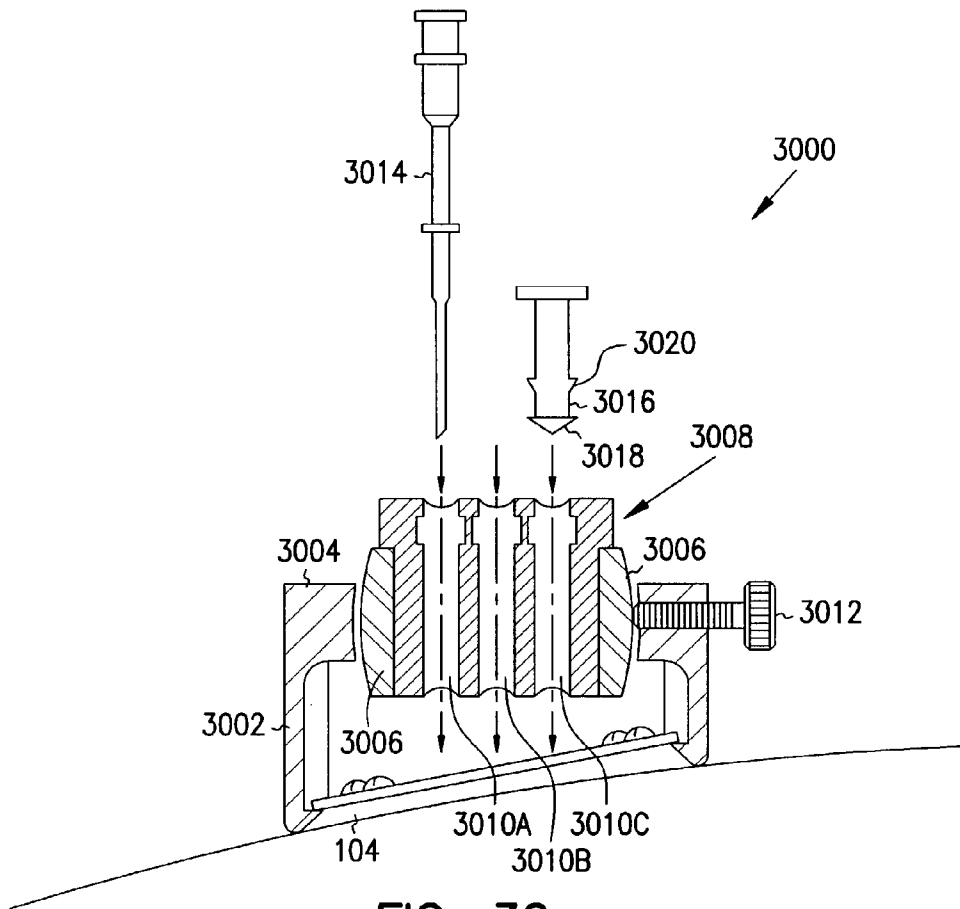


FIG. 30

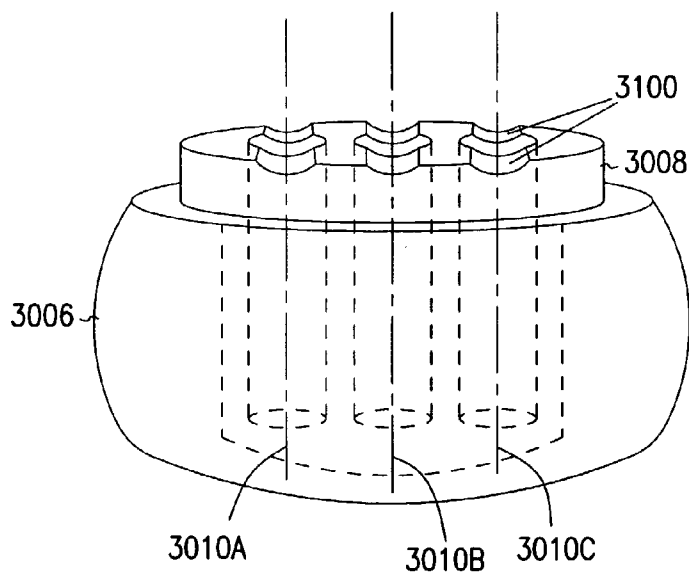


FIG. 31

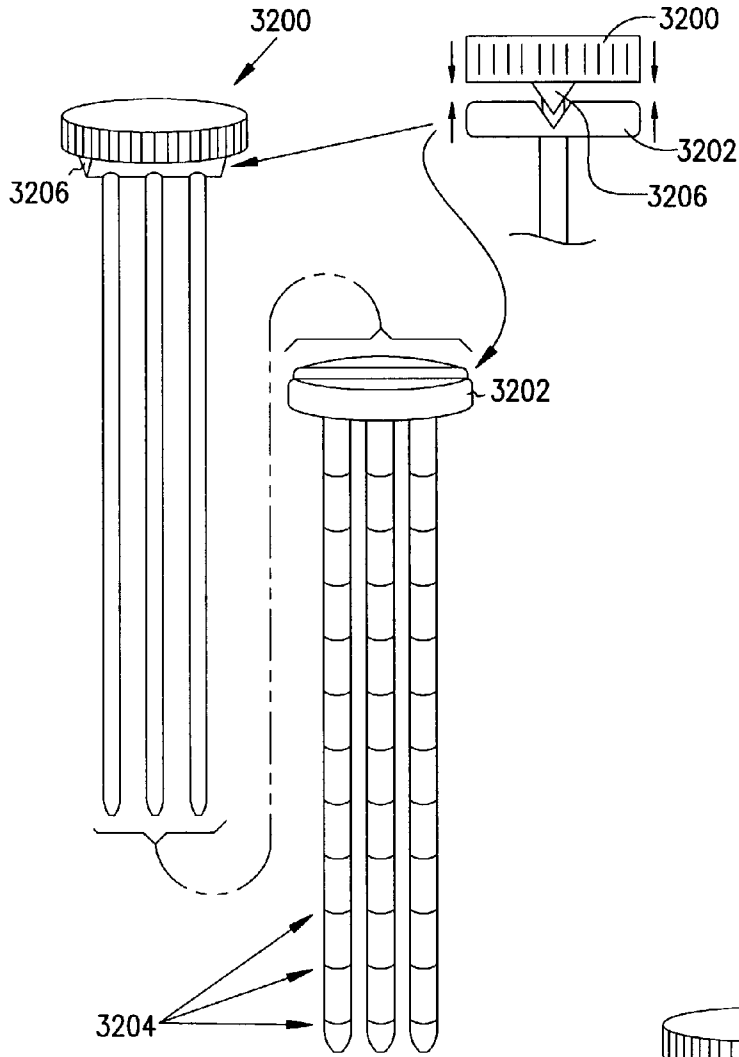


FIG. 32A

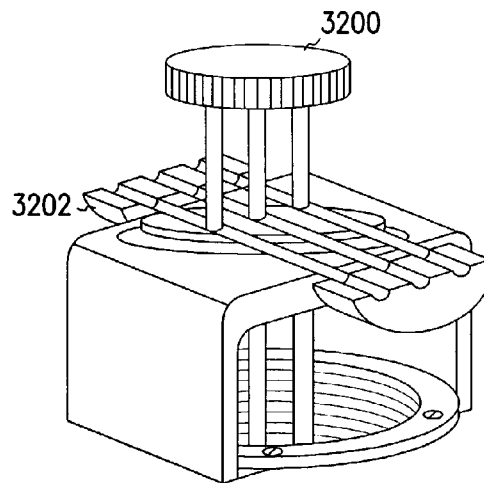


FIG. 32B

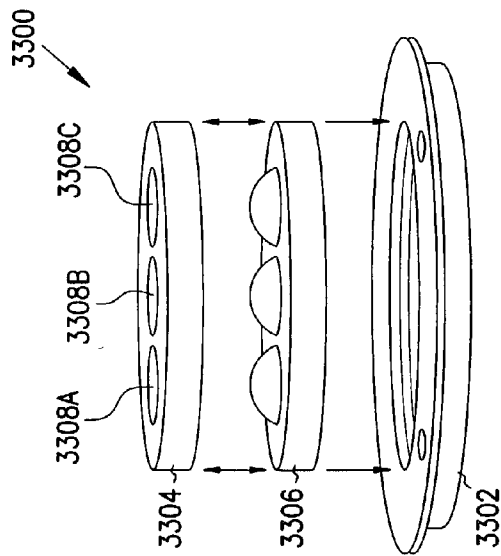


FIG. 33A

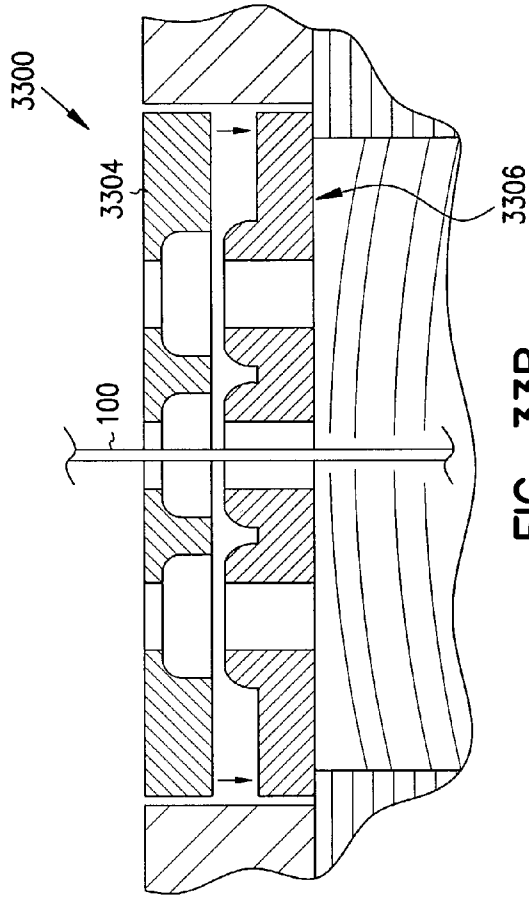


FIG. 33B

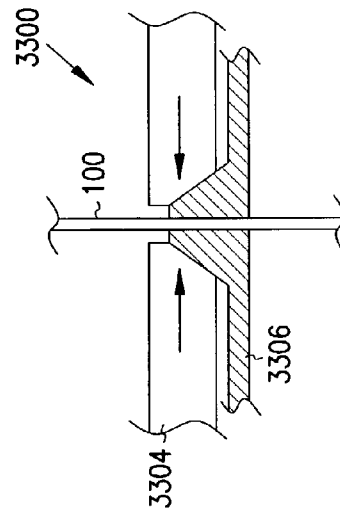


FIG. 33C

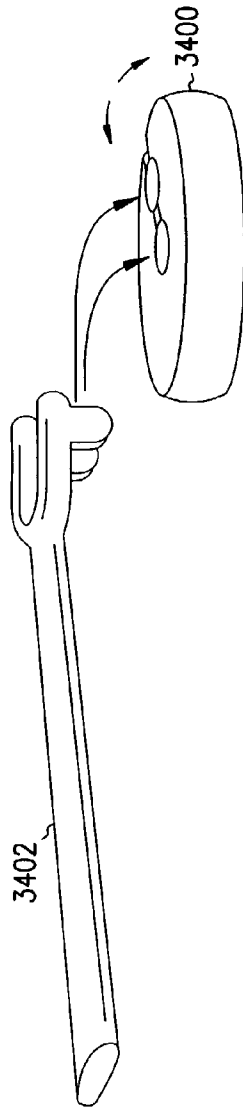


FIG. 34A

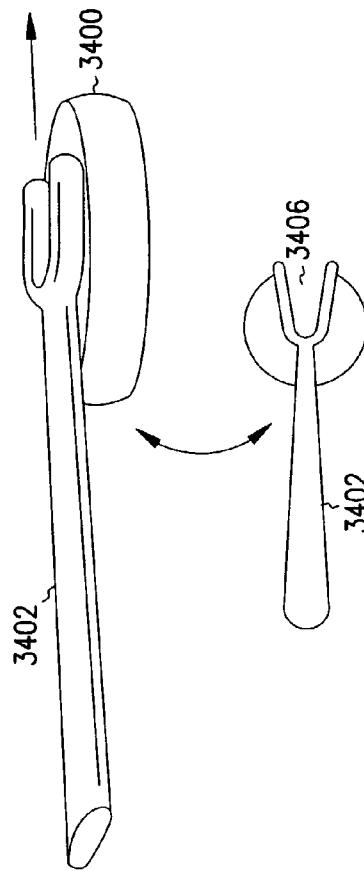


FIG. 34B

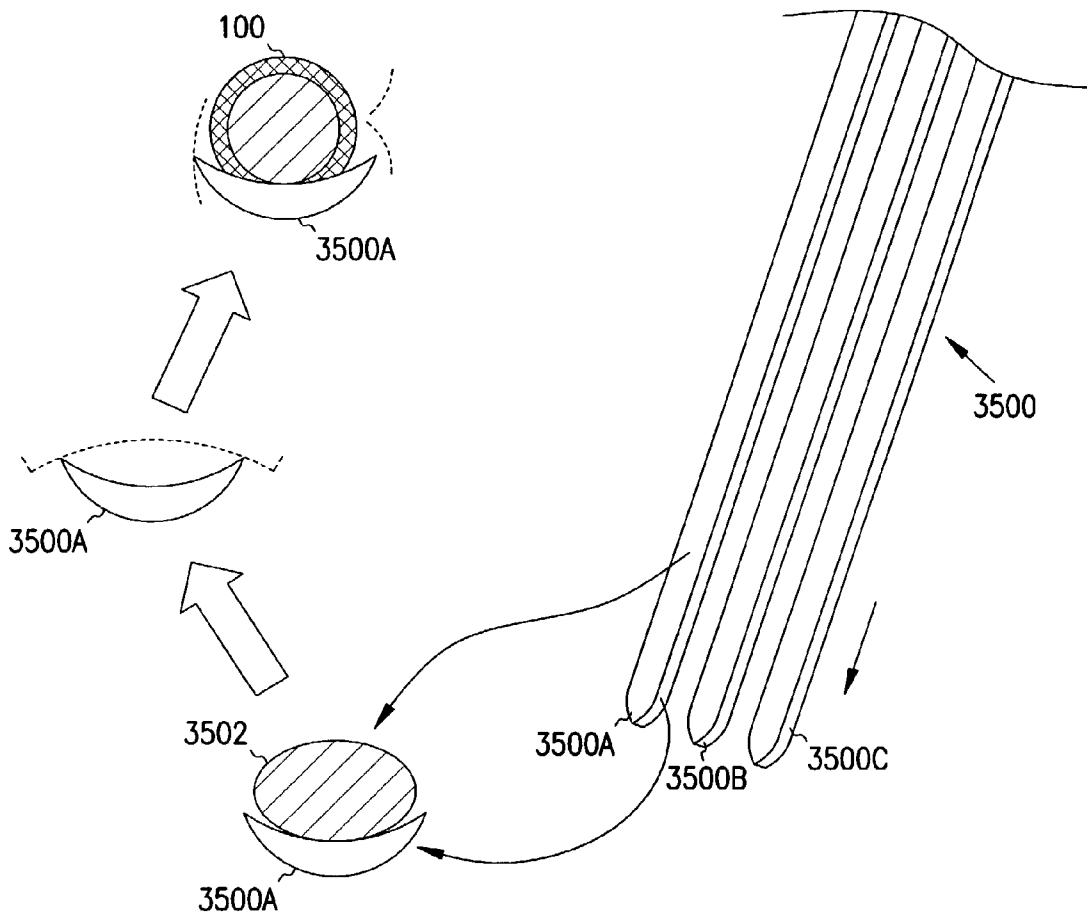


FIG. 35

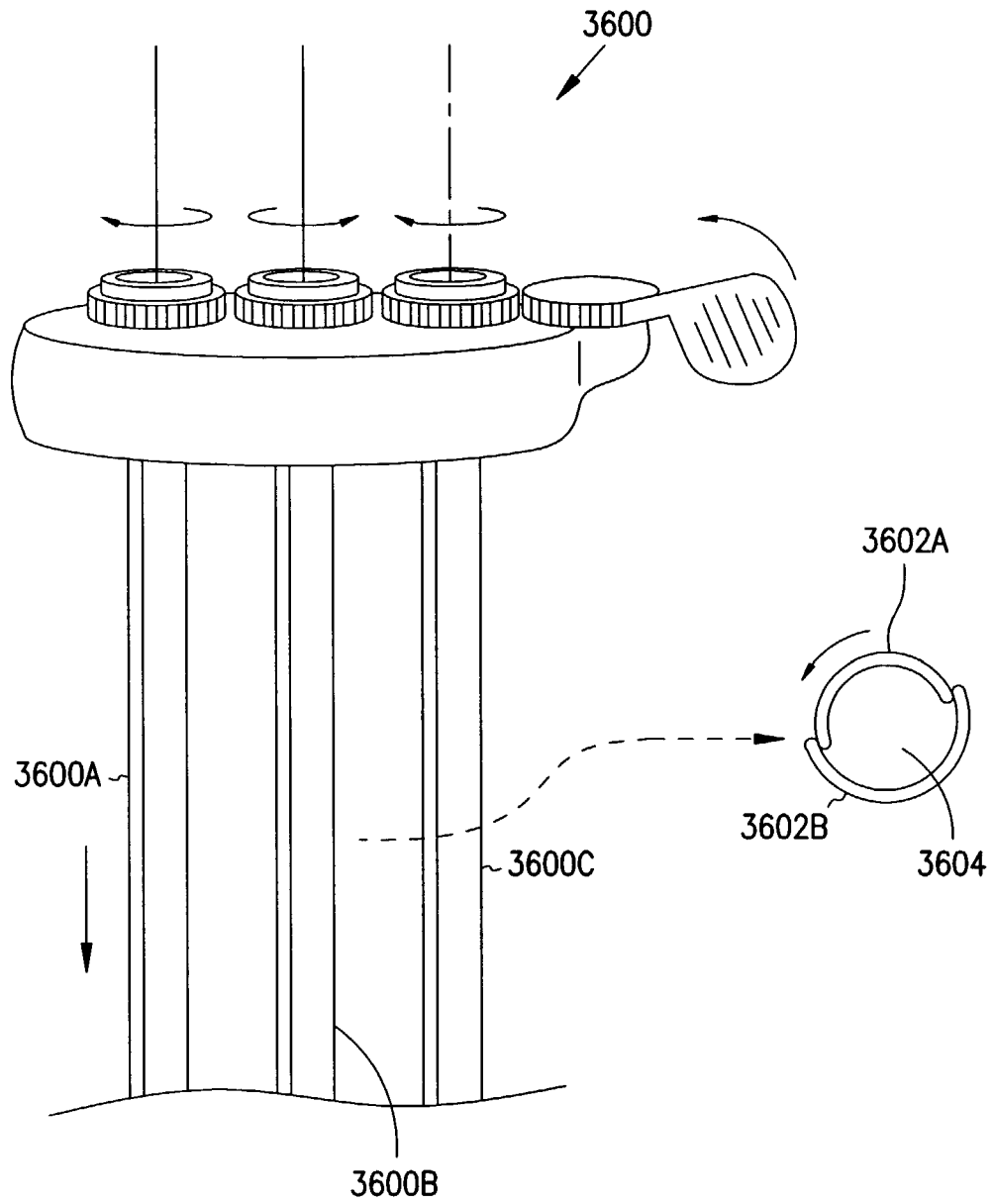


FIG. 36

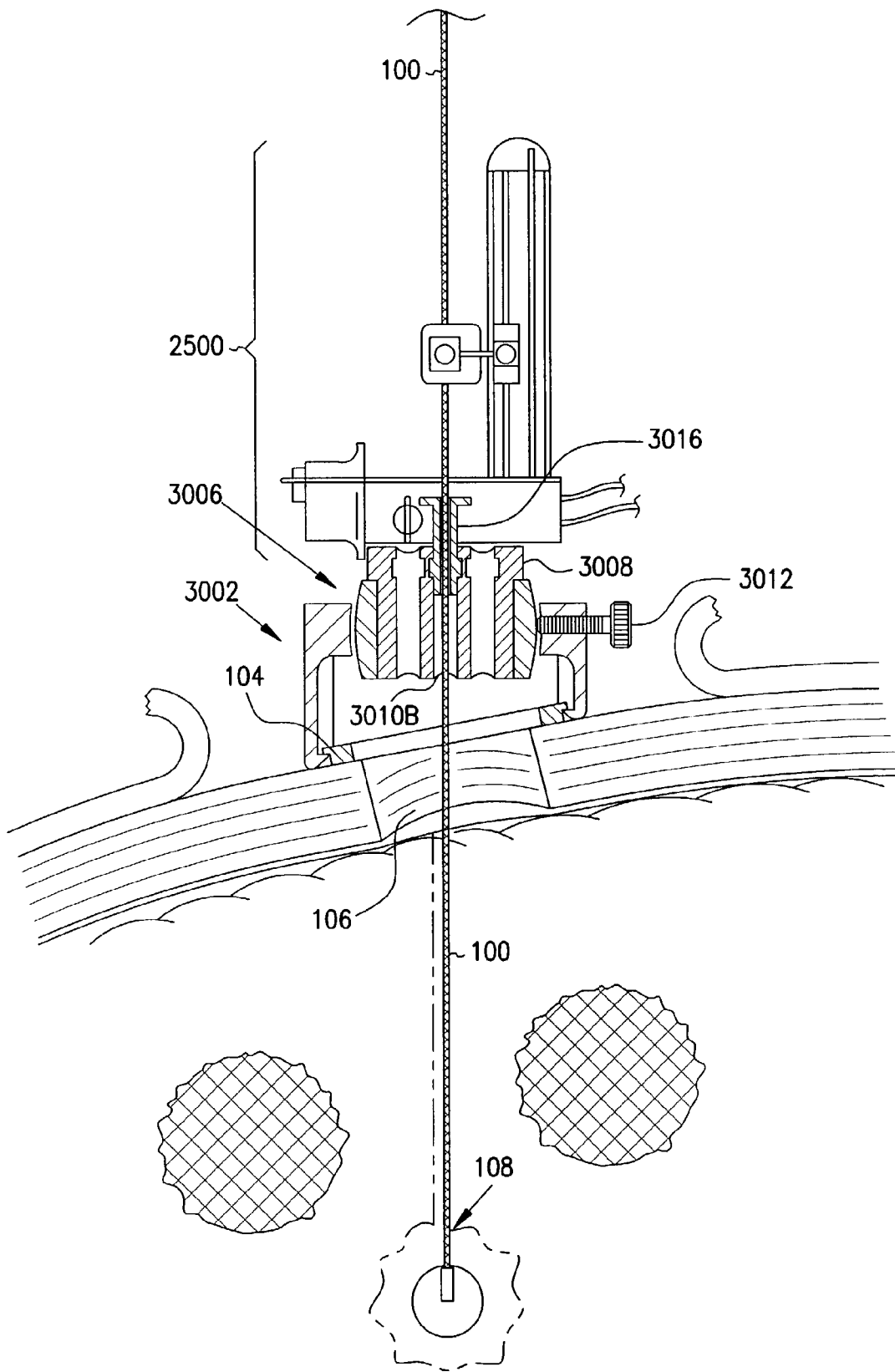


FIG. 37

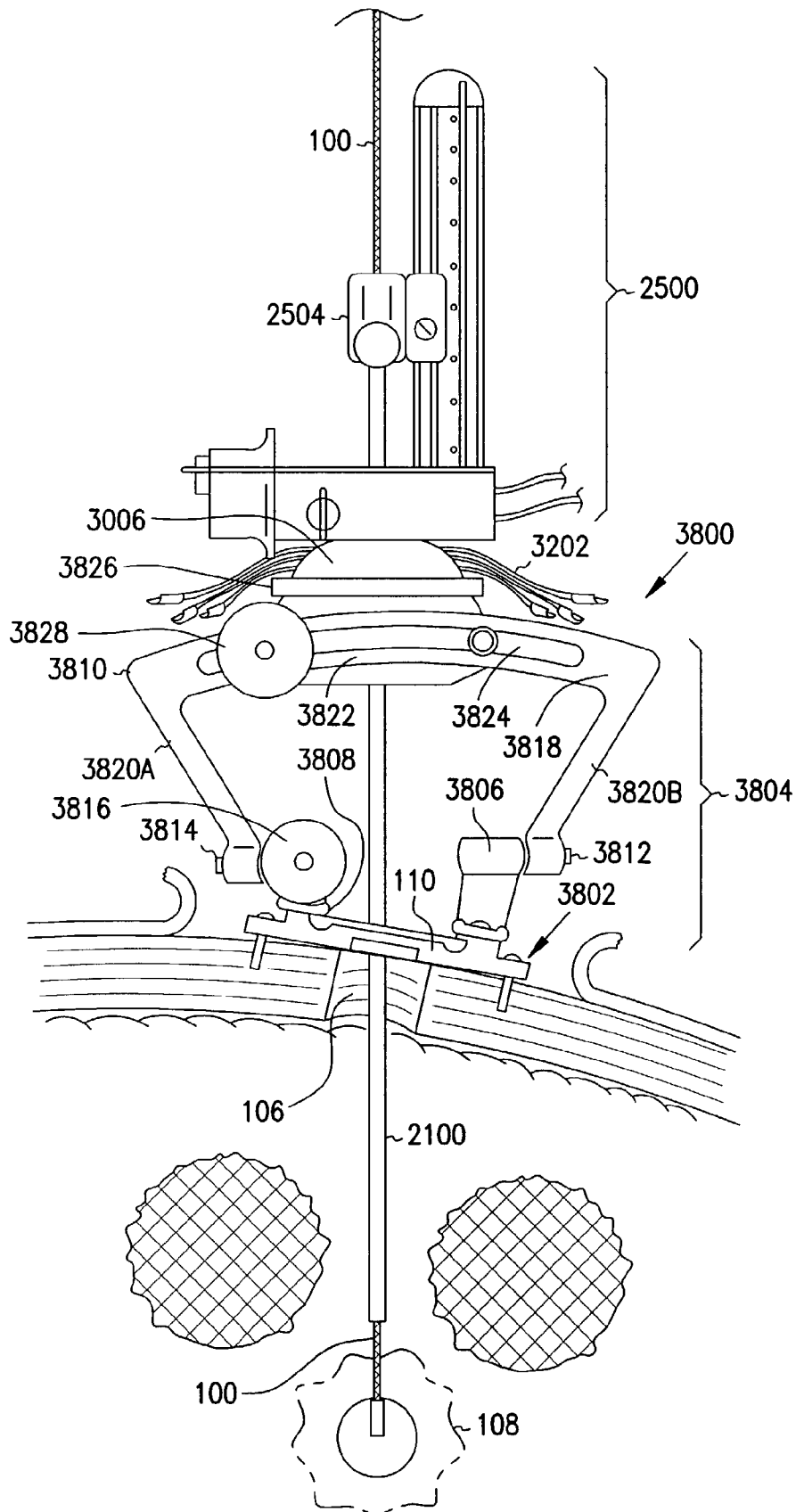


FIG. 38

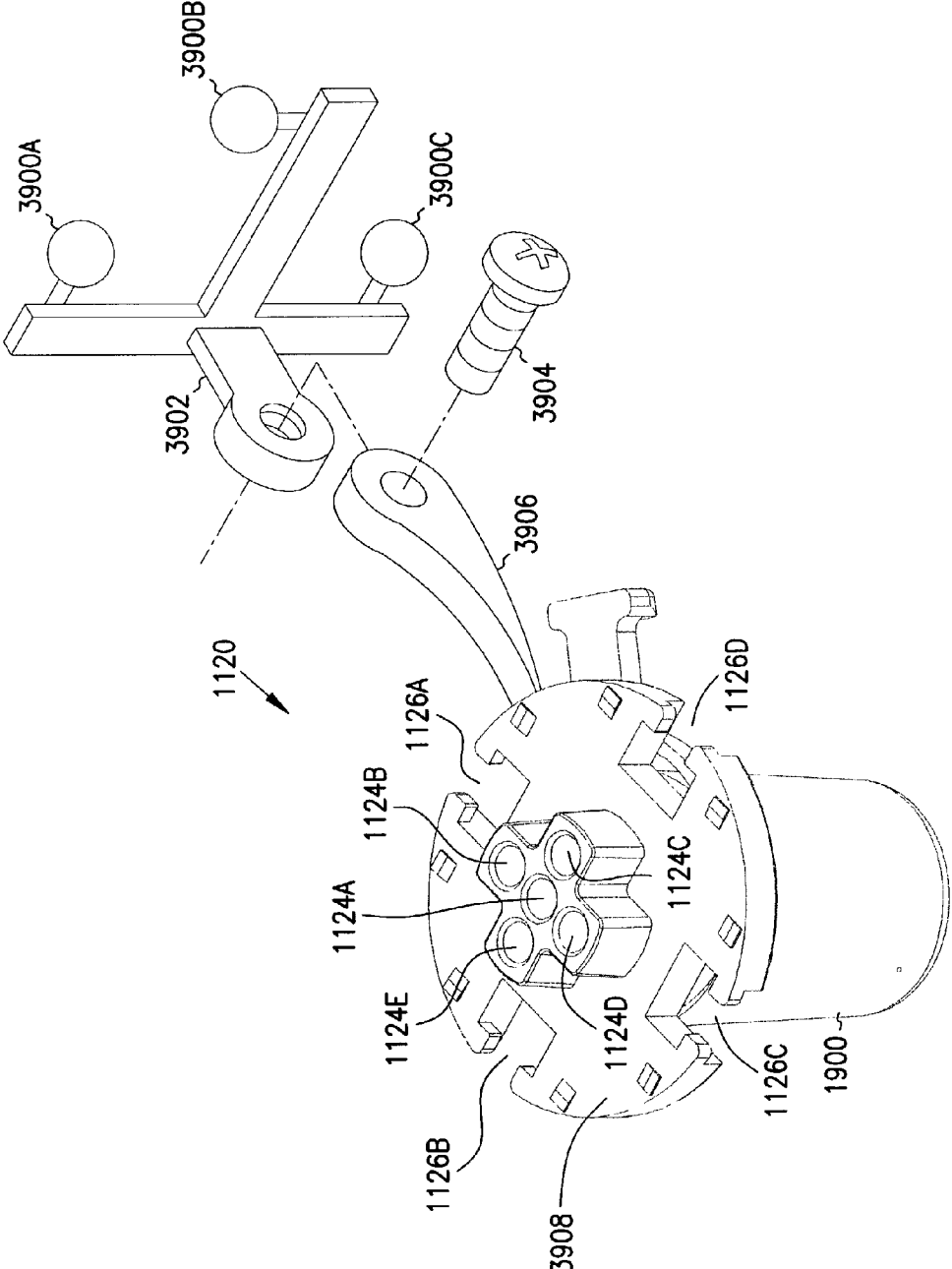


FIG. 39

1

DEEP ORGAN ACCESS DEVICE AND METHOD**CROSS-REFERENCE TO RELATED APPLICATION**

This application is a continuation application of Ser. No. 09/828,451, filed Apr. 6, 2001, entitled: DEEP ORGAN ACCESS DEVICE AND METHOD.

This patent application claims the benefit of priority, under 35 U.S.C. Section 119(e), to U.S. Provisional Patent Application Ser. No. 60/195,663, filed Apr. 7, 2000, the disclosure of which is incorporated herein by reference in its entirety.

FIELD OF THE INVENTION

This document relates generally to, among other things, surgical placement of a medical instrument deeply into an organ, such as a brain, and specifically, but not by way of limitation, to accurate targeting, placement, and/or acute or chronic stabilization of such an instrument.

BACKGROUND

In placing a medical device or instrument deeply into an organ, such as a brain, it is often advantageous to precisely target, place, and then secure the device for a period of time that may be several days or even indefinitely. Examples of such devices include catheters, needles, and drug and biological agent delivery instruments, as well as electrical mapping, stimulating and/or ablation leads.

Targeting such a device is not always an exact science. The target is not always visible from preoperative images. Even when using image-guided minimally invasive techniques, with such imaging modalities magnetic resonance imaging (MRI), computed tomography (CT), frameless surgical navigation systems, and the like, there is often a need for some tweaking or small adjustment in trajectory to accurately hit the target. A single trajectory approach would mean that the need to move the target slightly laterally would require removing the device and then reintroducing it, sometimes as close as 2 mm away from the original entry site.

One approach to positioning an instrument, such as a deep brain stimulation electrode, uses a conventional stereotactic frame system that is secured to the patient. In this approach, preoperative images of the patient are used to determine the proper trajectory to the target, as measured and aligned relative to the frame. Using accessories mounted to the frame, the electrode is aligned and advanced through a burr hole in the skull to the predetermined target. A base is then inserted into and/or around the burr hole. Various "tool holes" and slots in the base are deformed as the base is slid over the electrode. The tool holes in the base are squeezed together as the base is inserted into the burr hole. When the base is released, it springs back outward against the inside diameter of the burr hole. The stereotactic accessories must then be carefully removed while holding the device in place. This step can be clumsy and inexact. If the electrode moves, it must be repositioned. Before securing the carefully-positioned device to the patient, the equipment used to introduce the device and maintain trajectory must be removed. This action can often dislodge the device requiring the entire placement procedure to be repeated. Even after the stereotactic accessories have been removed, the electrode or other device must be secured. This procedure may also cause

2

electrode movement. In one example, a silicone rubber cap is fit into place to capture and protect the electrode. Placing the rubber cap may cause further electrode movement.

One disadvantage of this approach is that the instrument positioning is attempted using only a presumed target location, based on the preoperative images, and not an actual determination of the needed trajectory to the target. Another disadvantage is that the stereotactic frame system is both expensive and unwieldy. Yet another disadvantage is that the electrode may move at any one of several times during the procedure and therefore require repositioning. For these and other reasons, the present inventors have recognized that there is a need for improved targeting, placement, and secure stabilization of a deep brain electrode or other medical instrument.

SUMMARY

This document discusses, among other things a device and method for instrument targeting, placement, and/or stabilization. This system may be used with any instrument, but it is particularly useful with a deep brain neurological stimulation electrode to treat severe tremor or other disorders. The system allows any of a number of imaging modalities, including MRI, CT, and frameless surgical navigation. The MRI environment typically provides both real-time brain images and real-time MRI imaging of trajectory-alignment fiducial markings, although preoperative MRI images of the brain could also be used. The frameless surgical navigation typically uses retrospective brain images (e.g., previously-acquired preoperative MRI images of the brain) and real-time imaging recognition of trajectory-alignment fiducial markings (e.g., using light-emitting diodes, reflective globes, etc.). Both environments, therefore, provide image-guided alignment of the instrument's trajectory to the target location. Such techniques provide accurate placement of the electrode or other medical instrument. It also provides acute and/or chronic stabilization of the instrument. The system includes, among other things, an alignment/targeting system, an instrument introducer system, and a stabilizer system. Other aspects of the present system and methods will become apparent upon reading the following detailed description of the invention and viewing the drawings that form a part thereof.

BRIEF DESCRIPTION OF THE DRAWINGS

In the drawings, which are not necessarily drawn to scale, like numerals describe substantially similar components throughout the several views. Like numerals having different letter suffixes represent different instances of substantially similar components. The drawings illustrate generally, by way of example, but not by way of limitation, various embodiments discussed in the present document.

FIG. 1 is a cross-sectional view example of an electrode that has been implanted and secured using the devices and methods discussed herein.

FIG. 2 is a perspective view example of a base and a cap.

FIG. 3 is an exploded perspective view example of an assembly of a base, a stabilizer, and a cap.

FIG. 4 is a perspective view example of a stabilizer.

FIG. 5 is an exploded perspective view example of a base, a stabilizer, and a cap.

FIG. 6 provides two perspective view examples of a base and a burr-hole centering device.

FIG. 7 is a perspective view example of a tool for placing the stabilizer, securing the introduced instrument, and removing the cap.

FIG. 8 is a perspective view example of an instrument-securing base and a equipment-supporting base.

FIG. 9 is another perspective view example of an instrument-securing base and an equipment-supporting base.

FIG. 10 is a further perspective view example of an instrument-securing base and an equipment-supporting base.

FIGS. 11 and 12 are perspective view examples of a tower-like instrument alignment and introduction guide assembly, also referred to as a deep brain access device.

FIG. 13 is an exploded perspective view example of portions of a deep brain access device.

FIG. 14 is a perspective view example of adjusting an instrument trajectory using portions of a deep brain access device with MRI, CT, or another imaging modality.

FIG. 15 is a perspective view example of adjusting an instrument trajectory using portions of a deep brain access device with a frameless surgical navigational system.

FIG. 16 is a perspective view example of an MRI-imagable alignment stem.

FIG. 17 is a perspective view example of an adapter for receiving a frameless surgical navigation instrument.

FIG. 18 is a perspective view example of a technique for introducing an instrument along the previously established trajectory using a peel-away sheath and stylet.

FIG. 19 provides two perspective view examples of a multilumen insert portion of a deep brain access device.

FIG. 20 is a perspective view example of a hub and stylets.

FIG. 21 is a perspective view example of a single peel-away sheath.

FIG. 22 is a perspective view example of a guide bridge mounted onto a multilumen insert of a deep brain access device.

FIG. 23 is a perspective view example of an offset guide bridge.

FIG. 24 is a perspective view example of a center guide bridge.

FIGS. 25 and 26 are perspective view examples, respectively, of a remote introducer mounted onto a deep brain access device.

FIG. 27 is a perspective view alternate example of an instrument-securing base.

FIG. 28 is a perspective view example of a ball-housing socket on a translational stage.

FIG. 29 is a perspective view example of an alternate remote introducer mounted to a deep brain access device.

FIG. 30 is a cross-sectional view example of an alternate deep brain access device.

FIG. 31 is a perspective view example of a ball and inner sleeve with guide lumens.

FIG. 32 provides various perspective and cross-sectional view examples of a peel-away sheath with depth markers, a stylet, and a deep brain access device receiving the sheath and stylet.

FIG. 33 provides various perspective and cross-sectional view examples of an alternate stabilizer.

FIG. 34 provides various perspective view examples of another alternate stabilizer and accompanying tool.

FIG. 35 provides various perspective and cross-sectional view examples of a guide alternative to the peel-away sheaths.

FIG. 36 provides a perspective and a cross-sectional view examples of a sheath having rotatable components for allowing side access, which is useful as an alternative to the peel-away sheath.

FIG. 37 is a cross-sectional view example of an alternative deep brain access device, mounted to a skull, and a remote introducer mounted to the deep brain access device.

FIG. 38 is a perspective view example of an alternative deep brain access device providing a pivoting base, an arc-like path, and a ball-and-socket movement for adjusting a trajectory of an instrument being introduced into the brain.

FIG. 39 is a perspective view illustrating an alternate example of a multilumen insert including imaging-recognizable fiducial markings.

DETAILED DESCRIPTION

The following detailed description refers to the accompanying drawings, which form a part of this detailed description and illustrate specific embodiments of the invention. These embodiments are described in sufficient detail to enable those skilled in the art to practice the invention. However, other embodiments may be used, thus structural, logical and electrical changes may be made to this description without departing from the spirit and scope of the invention. The following detailed description is, therefore, not to be taken in a limiting sense, as the scope of the invention is defined only by the appended claims.

One example of trajectory guides for surgical applications is discussed in Truwit et al., International Patent Application No. PCT/US98/10008 (International Publication No. WO 98/51229), which is incorporated herein by reference.

FIG. 1 is a cross-sectional view illustrating an example of a flexible primary medical instrument, such as an implanted deep brain neurostimulator electrode **100**. FIG. 1 also illustrates portions of a secondary medical device, such as deep brain access device **102**, and portions of a patient's brain in which electrode **100** and access device **102** are used. Electrode **100** includes a distal end **100A** and a proximal end **100B**. Proximal end **100B** emerges from under a skin flap of the patient into which it has been inserted. Access device **102** includes, among other things, a base **104** access plate or ring secured concentrically around and/or in a burr hole **106** in the skull. Base **104** provides an access opening that is approximately the same diameter as a standard burr hole. Electrode **100** extends through burr hole **106** into a target location **108** in the brain, and is held in place by stabilizer **110**. Access device **102** also includes a substantially rigid cap **112** that covers burr hole **106**, stabilizer **110**, and base plate **104**, and is overlaid by a tapered low profile flexible (e.g., silicone or other elastomer) conformal cap **114** to soften the profile of the implanted apparatuses under the patient's scalp to more closely match the skull surface **116**.

A suitable hole in conformal cap **114** and/or the overlying skin flap permits any upturned proximal portion **100B** of electrode **100** to be exposed outside the skin flap, if desired. In this example, conformal cap **114** includes an engaging lip that mates with a lip of cap **112** or base **104**. This holds conformal cap **114** in place.

In one example, portions of access device **102** allow attachment by other apparatuses during targeting/alignment, positioning, and/or acutely or chronically securing the implanted instrument. Although designed for use with a trajectory alignment system, stabilizer **110** can be used alone to stabilize catheters, needles, and drug and biological agent delivery instruments, as well as electrodes used for any

5

purpose (e.g., electrical mapping, stimulation, or ablation) that have been placed using alternate targeting and placement methods and systems.

FIG. 2 is a perspective view of an example base 104. In this example, base 104 is attached to the patient's skull by any suitable fastening device, such as bone screws 200A and 200B. Alternatively, base 104 is secured by threads that screw into burr hole 106. Other examples of attachment to the skull or other portions of the patient's body include adhesive, suction and other techniques. Base 104 includes one or more grooves 202 for receiving the proximal end 100B of electrode 100, or other flexible instrument, which is laterally bent into groove 202 for conformally exiting base 104, so that proximal end 100B of electrode 100 lies generally parallel to the skull surface 116. Proximal end 100B of electrode 100 extends along skull surface 116 for a clinically appropriate distance. Cap 112 covers portions of burr hole 106, and the assembly of base 104 and electrode 100. In this example, base 104 includes recesses 204A–B, such as for receiving respective pry lip extensions 206A–B of cap 112.

FIG. 3 is an exploded view illustrating an example of an assembly of base 104, stabilizer 110, and cap 112. Cap 112 includes a relatively larger top 300 and a relatively smaller, generally cylindrical base 302. Cap 112 includes male finger or female receptacle snap-fits 304 (or other attachment device(s)) that are coupled to respective mating female receptacle or male finger snap-fits 306 of base 104 so that, when assembled, cap 112 is coupled to base 104, within its center opening 307, and covers stabilizer 110. The cylindrical base portion 302 of cap 112 includes at least one opening 308 permitting electrode 100 to exit base 104 via groove 202.

In the example of FIG. 3, stabilizer 110 includes a disk 310 coupled to a cam 312. Cam 312 rotates, with respect to disk 310, about an axis perpendicular to the plane of disk 310, to create and substantially close opening 314 in which electrode 100 is either passed freely (when open) or clamped (when closed). Thus, cam 312 is understood to include any form of clamping device. FIG. 3 illustrates cam 312 in its open position. Stabilizer 110 also includes snap-fits or other fastening features for coupling it to base 104. In the example of FIG. 3, stabilizer 110 can be snapped into base 104 in any rotational orientation. That is, the user can rotate stabilizer 110 a full 360 degrees to choose a specific rotational orientation with respect to base 104, and then snap stabilizer 110 into base 104 at that orientation. Moreover, elongate opening 314 extends radially from the center of the disk-like stabilizer 110 to its outer circumference. Along with the full rotational coupling capability of stabilizer 110, this allows an instrument, such as electrode 100, to be clamped within opening 314 in any location over the full area of opening 307 in base 104. This provides additional precision in placing the electrode 100 or other instrument.

FIG. 4 is a perspective view illustrating a closer view of stabilizer 110 in which cam 312 is in a closed position. FIG. 4 also illustrates coupling features 400A–B for coupling stabilizer 110 to base 104. In this example, one or more recesses 402A–B, or other engaging features, is provided. By using a tool that engages at least one of recesses 402A–B, stabilizer 110 can be placed into base 104 and snap-coupled thereto. Cam 312 also includes one or more recess 404, or other engaging feature. By using a tool that engages recess 404, cam 312 can be moved between open and substantially closed positions. In this example, cam 312 also includes a catch 406 that prevents unwanted accidental movement of cam 312 into the open position when cam 312 is intended to

6

be in the closed position to secure electrode 100 or other medical instrument. In this manner, cam 312 locks into the closed position, and is opened by pressing down on a tool engaging recess 404. This allows catch 406 to slide under disk 310.

FIG. 5 is an exploded view of an alternate embodiment in which stabilizer 110 includes strain relief features 500A–B, either of which may be used to secure a small amount of slack in electrode 100 or other instrument. Also in this example, a plurality of grooves 202 in base 104, and a corresponding plurality of grooves 308 in cap 112, allows electrode 100 to laterally exit base 104.

FIG. 6 provides two perspective views of an example base positioner 600 device for centering base 104 around burr hole 106 (of known diameter) in the skull. A distal portion 602 of positioner 600 is appropriately sized to be received into center opening 307 of base 104 and further into burr hole 106. This centers base 104 concentrically around burr hole 106. Bone screws 200A–B are temporarily captured within openings in extension wings 604A–B of positioner 600, such that bone screws 200A–B are aligned to corresponding openings in base 104. Bone screws 200A–B are then loosely secured to the patient's skull, such that base 104 is properly positioned and centered around burr hole 106. Wings 604A–B are scored or otherwise constructed so as to separate when bone screws 200A–B are more securely tightened, thereby releasing bone screws 200A–B so that they can fasten base 104 to the patient's skull. Positioner 600 is then removed, such as by snapping it out of base 104, leaving base 104 securely fastened in the proper position with respect to burr hole 106.

FIG. 7 is a perspective view of an example of a tool 700 for performing procedures with respect to, among other things, base 104, cap 112, and/or stabilizer 110. In this example, tool 700 includes a handle 702, a first engaging arm 704, and a second engaging arm 706. The end of arm 704 is appropriately sized to engage one of recesses 402A–B of disk 310 of stabilizer 110 for placing stabilizer 110 into base 104. The end of arm 706 is appropriately sized to engage recess 404 in cam 312 for moving cam 312 between its open and closed positions. In this example, at least one of ends 704 and 706 is appropriately sized for being inserted into one of recesses 204A–B (see FIG. 2) of base 104, and under one of corresponding extensions 206A–B for prying cap 112 away from base 104.

FIG. 8 is a perspective view of an example of a different base, such as support base 800. In this example, support base 800 provides a ring-like or any other (e.g., cylindrical) suitable platform 802 for supporting other surgical equipment, such as for targeting/alignment of the trajectory of the instrument being introduced, and/or for introducing the instrument after such proper alignment is obtained. In this example, the equipment support base 800 is separate from instrument securing base 104, however, these two bases could alternatively be integrally formed or otherwise joined. In the example of FIG. 8, however, support base 800 is secured directly to the patient's skull over and around securing base 104, using bone screws 804A–C through legs extending downward from platform 802, by using any other appropriate affixation technique.

FIG. 9 is a perspective view of an alternate example of a base 800, secured directly to the patient's skull by four bone screws 804A–D through respective legs extending downward from platform 802. This four-legged example advantageously allows for a smaller incision (e.g., in the direction of the instrument exit slot of base 104) into the patient's skull than the three-legged example of FIG. 8. Because the

legs in the example of FIG. 9 are closer together than the legs in the example of FIG. 8, the skin does not have to be laterally spread apart as far to allow placement of the example of FIG. 9. Such a reduced lateral skin-spreading in turn reduces the required length of the incision slit.

FIG. 10 is a perspective view of an alternate example of a support base 800. In this example, support base 800 is secured by any suitable means to instrument-securing base 104, which, in turn, is secured to the patient's skull, such as discussed above. In the example of FIG. 10, legs 1000A-D space platform 802 away from base 104. Each of legs 1000A-D includes one or more snap-fit features 1002 for engaging corresponding mating features on base 104. Tightening screws 1004A-B are each captured by a respective threaded portion of platform 802, and extend downward to press against base 104 when base 104 and platform 802 are snapped together. By adjusting screws 1004A-B, support base 800 is backed away from instrument-securing base 104 so that these two bases are more tightly coupled to each other. This provides added stability to platform 802.

FIGS. 11 and 12 are perspective views of an example of a tower-like instrument alignment and introduction guide assembly, also referred to as a deep brain access device 1100. DBA device 1100 can also be regarded as including base 104, stabilizer 110, cap 112, and support base 800. A tower base 1102 of device 1100 snaps onto and rotates upon the ring-like or other platform 802 of FIGS. 8-10, such as by one or more snap-fitting side blocks 1104. Side blocks 1104 provide added stability to prevent tower base 1102 from rocking from side-to-side on platform ring 802. A curved saddle 1106 is coupled to and seated on a curved portion of tower base 1102, such as by at least one arcuate sliding joint, as illustrated. The curved portions of saddle 1106 and tower base 1102 can be tilted with respect to each other to alter a trajectory angle of an instrument being introduced, and can be secured to fix this aspect of the trajectory angle of the instrument.

An affixation mechanism, such as thumbscrew 1108, passes through an opening in tower base 1102 and engages a portion of platform 802 to prevent further rotation of tower base 1102 with respect to platform 802 once a desired rotational position has been obtained. In this example, a capturing device, such as L-shaped arm 1110, retains thumbscrew 1108 together with tower base 1102.

Another affixation mechanism, such as thumbscrew 1112, passes through a slotted opening (tilt slot) in saddle 1106 and engages a portion of tower base 1102 to prevent further riding of the curved portion of saddle 1106 along the curved portion of tower base 1102 once a desired trajectory angle has been obtained. This example also includes attachment fasteners 1113A-B passing through corresponding slots in saddle 1106 for additionally securing saddle 1106 to tower base 1102. Attachment fasteners 1113A-B include screws passing through respective retainer brackets, each of which includes a curved surface conforming to a curved surface of saddle 1106.

Also in this example, an interior portion of a socket 1114 on saddle 1106 provides a socket portion of a ball-and-socket joint. An affixation mechanism, such as thumbscrew 1116, passes through a threaded opening in socket 1114 to secure the position of a ball housed therein. Socket 1114 also includes fine-tuning thumbscrews 1118A-C, which pass through threaded openings in socket 1114 for further adjusting the exact position of a ball within socket 1114. Socket 1114 further carries a multilumen instrument guide insert assembly 1120. Multilumen insert 1120 includes a tapered sleeve that is releasably coupled, by release tab 1122 and

associated structure(s), within a cylindrical opening through the spherical ball housed within socket 1114.

To release the multilumen insert 1120 from the ball, the tab 1122 is pressed inward toward the sleeve. This forces or wedges a portion of the release tab 1122 against a top portion of the ball and aids in releasing the multilumen insert 1120 from the ball. The top portion of multilumen insert 1120 provides a multilumen guide having a plurality of openings, such as the center opening 1124A and side openings 1124B-E; these openings are also referred to as lumens. Openings 1124B-E are spaced apart from center opening 1124A by a known predetermined distance. Therefore, if electrode 100 is inserted through center opening 1124A, and misses its target location 108 in the brain, it can be inserted into one of the side openings 1124B-E, without readjusting the trajectory, to reach a target at a known distance away from center opening 1124A in the plane of the multilumen insert 1120. In this example, multilumen insert 1120 also includes T-shaped receptacles or recesses 1126A-D for receiving further equipment, as discussed below. In one embodiment, multilumen insert 1120 includes one or more fiducial points (e.g., LEDs, reflective globes, or microcoils), such as for trajectory alignment in a frameless surgical navigation system or in an MRI environment.

FIG. 13 is an exploded perspective view of an example of portions of deep brain access device 1100, including instrument-securing access base 104, support base 800, tower base 1102, saddle 1106, socket 1114A, ball 1300, multilumen insert 1120, and other associated components. As illustrated in FIG. 13, tower base 1102 includes a bottom or groove portion 1302 that engages platform 802, such as using hooked side blocks 1104, and allows tower base 1102 to rotate about the ring-like or other platform 802.

FIG. 13 also illustrates a cylindrical opening 1306 through ball 1300, which is seated in socket 1114A. Multilumen insert 1120 includes a tapered sleeve 1308 or barrel portion that fits snugly within opening 1306. Release 1122 includes a ring portion that fits over the exterior of sleeve 1308. To release multilumen insert 1120 from ball 1300, the tab portion of release 1122 is pressed inward toward sleeve 1308. This forces or wedges a portion of release 1122 against the top portion of ball 1300 and aids in releasing sleeve 1308 of multilumen insert 1120 from ball 1300. The tapered barrel provided by sleeve 1308 of multilumen insert 1120 includes, in one example, a closed end with openings corresponding to lumens 1124A-E of multilumen insert 1120.

FIG. 14 is a perspective view illustrating an example of adjusting an instrument trajectory using portions of deep brain access device 1100 with MRI, CT, PET, or another imaging modality. In FIG. 14, multilumen insert 1120 has been removed, and an imagable reference device, such as alignment stem 1400, has been inserted into the cylindrical passageway of ball 1300 in its place. In this example, alignment stem 1400 includes at least two fiducial points that are recognizable by the imaging modality. The various above-described positioning mechanisms of deep brain access device 1100 are adjusted to make the fiducial points collinear with the target location 108 in the brain. In one example, this may include adjusting the rotation of tower 1102 on platform 802, adjusting the tilt of saddle 1106 with respect to tower 1102, adjusting the spherical position of ball 1300 within socket 1114, and then fine tuning the exact position of ball 1300 using one or more of screws 1118A-C. The imaging modality includes a computer or other processor that provides a display indicating the relative alignment between the trajectory of alignment stem 1400 and target location 108. This display further indicates when the trajec-

tory becomes collinear with target location **108** during the positioning process. The positioning mechanisms provide locking devices that are then locked in, and the alignment stem **1400** is replaced by multilumen insert **1120** for continuing the procedure of introducing electrode **100** or other instrument along this trajectory to target location **108** in the brain.

FIG. **15** is a perspective view illustrating an example of adjusting an instrument trajectory using portions of deep brain access device **1100** in conjunction with a frameless surgical navigational system. Examples of such systems use LEDs, light reflecting globes, or other spatially-separated fiducial markers to establish a desired instrument trajectory orientation. In the frameless example of FIG. **15**, multilumen insert **1120** remains in place within the cylindrical passageway of ball **1300**. Adapter **1500** is inserted into center lumen **1124A** of multilumen insert **1120**. In this example, adapter **1500** includes a center-bored seat **1502** that snugly receives a portion of frameless navigation reference device instrument. The frameless navigation reference instrument provides spatially-separated fiducial points that are recognized by the frameless imaging modality. These fiducial points are viewed, using the appropriate imaging modality, while the various positioning mechanisms of the deep brain access device are adjusted, to orient the instrument's trajectory toward the desired target location **108** in the brain, then locked in. The frameless navigation instrument is then removed from center-bored seat **1502** of adapter **1500**. Adapter **1500** is then removed from center lumen **1124A** of multilumen insert **1120** for continuing the procedure of introducing electrode **100** or other instrument along this trajectory to brain target location **108**.

FIG. **16** is a perspective view illustrating an example of alignment stem **1400** when separated from deep brain access device **1100**. In this example, alignment stem **1400** is filled with an imagable fluid provided through a one-way valve **1600** at a proximal end of alignment stem **1400**. A distal end of alignment stem **1400** includes a protuberance or other extension **1602**. In this example, extension **1602** is a thin cylindrical container having a distal tip **1604**. Distal tip **1604** is located at the pivot point of ball **1300** when ball **1300** is seated in socket **1114** of saddle **1106**. In this example, imagable fiducial points are provided at proximal valve **1600** and distal tip **1604**. The trajectory is established by adjusting the various positioning mechanisms of deep brain access device **1100** so that these imagable fiducial points are collinear with target location **108** in the brain. In one example, the exact position of target location **108** is obtained using real-time imaging of the brain while the positioning mechanisms of deep brain access device **1100** are being adjusted. In another example, preoperative brain images are used to determine the position of target location **108** while adjusting the various positioning mechanisms of deep brain access device **1100**. FIG. **16** also illustrates a release mechanism **1606**, which includes knob **1608** and ramp **1610**. By imparting a force on knob **1608** toward ball **1300**, ramp **1610** engages the top of ball **1300** to assist in releasing alignment stem **1400** from the cylindrical passageway of ball **1300**. Then, multilumen insert **1120** is reinserted into the cylindrical passageway of ball **1300**, for introducing electrode **100** or other medical instrument(s) through lumen(s) **1124** of multilumen insert **1120**.

FIG. **17** is a perspective view illustrating an example of frameless adapter **1500** when separated from deep brain access device **1100**. In this example, adapter **1500** includes stainless steel pin, having a distal tip **1700**, that is appropriately sized for being inserted into center lumen **1124A** of

multilumen insert **1120**. When fully inserted, distal tip **1700** is located the pivot point of ball **1300** when ball **1300** is seated in socket **1114** of saddle **1106**. In this example, a frameless navigation instrument with frameless imagable fiducial points is inserted into center-bored seat **1502** at the proximal end of adapter **1500**, or onto the outer portion of adapter **1500**, or otherwise coupled to adapter **1500** by any other appropriate coupling technique.

FIG. **18** is a perspective view illustrating an example of a technique for introducing an instrument along the previously established trajectory to target location **108** in the brain. In FIG. **18**, multilumen insert **1120** is used to guide a distal end of a secondary medical instrument, such as an elongate luminal catheter or peel-away sheath, for example, one of sheaths **1800A-C**, toward target location **108**. Before sheath **1800** is inserted into one of lumens **1124A-E** of multilumen insert **1120**, however, a stylet is inserted through a hollow center bore or lumen of sheath **1800**. This prevents coring of brain tissue by the hollow center bore of sheath **1800** and, in one embodiment, provides additional rigidity for performing the insertion and obtaining an accurate path along the established trajectory toward target location **108**.

The example of FIG. **18** illustrates a triple sheath assembly **1802**, with linearly-arranged sheaths **1800A-C**, appropriately spaced apart for being inserted into three linearly-arranged lumens **1124** of multilumen insert **1120**. This example similarly illustrates a triple stylet assembly **1804** in which three linearly-arranged stylets are spaced apart for insertion in the linearly-arranged sheaths **1800A-C**. This triple sheath/stylet illustration is merely an example. The exact number of sheaths **1800** and corresponding stylets being introduced ranges from a single sheath/stylet to the number of available lumens **1124** in multilumen insert **1120**. After sheath assembly **1802** and stylet assembly **1804** has been guided approximately to target location **108**, stylet assembly **1804** is removed and a guide bridge is secured to multilumen insert **1120** for guiding electrode **100** into the center bore of one of sheaths **1800A-C** for positioning electrode **100** at target location **108**. The sheaths **1800A-C** are then removed by pulling apart handles **1806A-B**. In the illustrated example, each sheath **1800** breaks into two pieces as it is being extracted.

FIG. **19** provides two perspective views of an example of multilumen insert **1120**, which includes the tapered barrel-like sleeve **1308** that is inserted into center hole **1306** of ball **1300**. Lumens **1124A-E** extend from the top of multilumen insert **1120** through the barrel sleeve **1308**. As discussed above, side lumens **1124B-E** are appropriately radially-spaced (e.g., 3 millimeters, center-to-center) from center lumen **1124A** to provide capability for repositioning of electrode **100** by a known amount by simply removing electrode **100** from center lumen **1124A** and reinserting it into a desired one of side lumens **1124B-E**. FIG. **19** also illustrates receptacles **1126A-D**, opposing pairs of which are used for receiving a guide bridge or other equipment desired to be mounted to the top of multilumen insert **1120**.

FIG. **20** is a perspective view illustrating an alternate example of a stylet assembly **2000**, including a hub **2002** for uniting 1-5 stylets **2004A-C** for insertion into corresponding peel-away or other sheaths inserted through corresponding lumens **1124** of multilumen insert **1120**. In one embodiment, hub **2002** includes a Touhy-Borst adapter, or other suitable adapter for gripping stylets **2004A-C**.

FIG. **21** is a perspective view illustrating an example of a single peel-away sheath **2100** including a distal tip **2102**, a proximal end **2104**, and a center bore or lumen extending therebetween. Handles **2106A-B** are included at proximal

11

end **2104**. Sheath **2100** is peeled away and extracted by pulling apart handles **2106A–B**.

FIG. **22** is a perspective view illustrating an example of a guide lumen selector, such as guide bridge **2200** having tabs or legs that are snap-mounted onto an opposing pair of receptacles **1126A–D** of multilumen insert **1120**. In this example, guide bridge **2200** includes a cylindrical guide tube **2202** extending upward from a base portion of guide bridge **2200**. Guide tube **2202** includes a center bore hole **2204** for passing electrode **100** or other instrument therethrough. A proximal portion of guide tube **2202** includes a lip **2206** extending outward circumferentially around the perimeter of guide tube **2202**. In one example, the center bore hole **2204** is tapered inward in a direction away from lip **2206**. That is, an inner diameter of bore hole **2204** necks down so the instrument passed therethrough is automatically centered as it approaches the base portion of guide bridge **2200**. In this example, guide bridge **2200** also assists in holding the sheath(s) in place as the electrode is being passed through a sheath to target location **108**. The handle portions of the sheath do not pass through guide tube **2202**, but instead, exit under the sides of guide bridge **2200**. In one example, guide bridge **2200** includes a wedge-like ridge on its underside to assist in splitting the peel-away sheath.

FIGS. **23** and **24** are perspective views illustrating an offset guide bridge **2300** and a center guide bridge **2400**, respectively. Lumens **1124A–E** provide a primary guide device for electrode **100** or other instrument, and the selected one of offset guide bridge **2300** and center guide bridge **2400** provides a secondary guide device for electrode **100** or other instrument. Offset guide bridge **2300** is selected when the instrument being introduced is intended to pass through one of side lumens **1124B–E** in multilumen insert **1120**. In this example, guide tube **2202** is offset from the center of the base of offset guide bridge **2300**, such that its center bore **2204** is aligned with one of side lumens **1124B–E** of multilumen insert **1120**. Alignment with the particular desired side lumen is obtained by appropriately rotating the orientation of offset guide bridge **2300** and snapping tabs **2302A–B** into corresponding opposing pairs of receptacles **1126**. By contrast, in center guide bridge **2400**, guide tube **2202** is centered on the base portion of center guide bridge **2400**, such that its center bore **2204** aligns with center lumen **1124A** of multilumen insert **1120** when center guide bridge **2400** is snapped into opposing pairs of receptacles **1126** of multilumen insert **1120**. In each of the examples of FIGS. **23** and **24**, an outside portion of lip **2206** is threaded for engaging other equipment. Alternatively, other equipment may be mounted onto guide tube **2202** by using a compression fit to a threaded or unthreaded lip **2206**.

FIGS. **25** and **26** are perspective views of deep brain access device **1100**, on which a center guide bridge **2400** is mounted to multilumen insert **1120**. In these examples, an introducer **2500** mechanism is mounted onto guide tube **2202** using a compression fitting to lip **2206**. Introducer **2500** includes a slide **2502** mechanism on which a sliding clamp **2504** rides toward and away from deep brain access device **1100** and, therefore, toward and away from burr hole **106** in the skull or other entry portal. Clamp **2504** holds the electrode **100** or other instrument being introduced. In one example, introducer **2500** is operated remotely by controls **2506A–B** to slide clamp **2504** along slide **2502**, and therefore, to introduce the instrument being held by clamp **2504** into and/or out of the brain along the predetermined trajectory in a controlled manner. One example of an appropriate remote introducer **2500** is the Fathom® Remote Introducer

12

available from Image-Guided Neurologics, Inc. of Melbourne, Fla. U.S.A. Another example of an appropriate remote introducer **2500** is described in Skakoon et al. U.S. patent application Ser. No. 09/827,266, entitled “Medical Device Introducer,” filed on Apr. 5, 2001 and assigned to the assignee of the present patent application, the disclosure of which is incorporated herein by reference in its entirety.

FIG. **27** is a perspective view of an alternate example of an instrument-securing base **2700**. In this example, base **2700** is centered around burr hole **106** and secured to the skull using bone screws **2702A–D** extending through openings in leg portions. Base **2700** includes two opposing mating slides **2704A–B** that move toward and away from each other, and that mate and engage each other to clamp electrode **100** or other instrument therebetween. One or more slots **202** are provided for providing a lateral exit for electrode **100**, as discussed above. Other equipment is either attached directly to the skull around base **2700**, or attached indirectly to the skull, though base **2700**, such as by snapping or clamping such equipment to receiving sides **2706A–B**.

FIG. **28** is a perspective view of a ball-housing socket **2800**, used as an alternative to socket **1114**. In this example, socket **2800** rides on a sliding translational stage **2802** on a mount **2804** coupled to saddle **1106** or other portion of deep brain access device **1100**. This example includes a squeeze release **2806** for disengaging mount **2804** from saddle **1106** or other affixation point of deep brain access device **1100**. Alternatively, mount **2804** is affixed to securing base **2700** by a hooked engagement mechanism **2808** that engages an underside of securing base **2700**, or by using any other appropriate coupling technique. Thumbscrew **2810** engages a threaded opening in mount **2804** and also engages and controls translational movement of sliding stage **2802**. Thumbscrew **2812** engages a threaded opening in mount **2804** and secures the position of stage **2802** to prevent unwanted translational movement after its desired position is obtained. Either thumbscrew may be captured to prevent accidental separation from mount **2804**.

FIG. **29** is a perspective view illustrating a remote introducer **2900**, provided as an alternative to introducer **2500**. In this example, introducer **2900** is coupled to a portion of deep brain access device **2901**, such as by using a Touhy-Borst adapter **2902** threaded onto a lip of a guide tube, similar to lip **2206** of guide tube **2202**. In this example, electrode **100** is inserted through a peel-away sheath **2100** (after removing a stylet). Sheath **2100** is secured to a squeeze-release clamp **2904** that slides toward and away from the skull along slide **2906**. In this example, advancement and retraction of clamp **2904** is remotely controlled using controls **2506A–B**.

FIG. **30** is a cross-sectional view illustrating a deep brain access device **3000**, provided as an alternative to deep brain access device **1100**. In this example, base **104** is secured to the skull using bone screws. A pedestal or tower **3002** is secured to base **104** as illustrated or, alternatively, is secured directly to the skull. Tower **3002** includes a socket **3004** housing a ball **3006**. Ball **3006** includes a center opening that receives a rotating inner barrel sleeve **3008**. In this example, sleeve **3008** includes one or more lumens **3010A–C** extending therethrough for passing and guiding instruments, sheaths, stylets, etc. An affixation device, such as thumbscrew **3012**, fixes the position of ball **3006** when the desired trajectory alignment has been obtained, such as by using the MRI, CT, PET, or frameless navigational guidance techniques discussed above. Proximal portions of lumens **3010A–C** include recesses for snapping into place lips on devices inserted therein, such as alignment stem (or frame-

13

less adapter) **3014** and/or Luer stem **3016**. A remote introducer may be attached to Luer stem **3016**, as discussed above. Luer stem **3016** may include a wedge **3018**, for assisting in splitting a peel-away sheath inserted through corresponding lumen **3010** before Luer stem **3016** is inserted therein. Luer stem **3016** may also include orientation tabs **3020** to appropriately align the wedge to provide the desired assistance in splitting the peel-away sheath.

FIG. **31** is a perspective view illustrating an example of ball **3006** and sleeve **3008**, including an illustration of the ball-and-socket movement of ball **3006** and rotational movement of sleeve **3008** within ball **3006**. In this example, lumens **3010** include associated transverse grooves **3100** extending laterally in opposite directions from the lumens **3010** to opposing edges of sleeve **3008**. Grooves **3100** receive and/or hold peel-away portions of one or more peel-away sheaths inserted into respective lumens **3010**.

FIG. **32** provides various perspective and side views of portions of deep brain access device **3000** and associated components. In this example, a three prong titanium stylet **3200** assembly is inserted into corresponding lumens of a triple peel-away plastic sheath **3202** assembly. One or more prongs of sheath **3202** includes depth markers **3204**. The combined sheath **3202** and stylet **3200** is inserted into corresponding lumens **3010** of guide sleeve **3008** to the desired depth, as indicated by depth markers **3204** on sheath **3202**. The proximal portion of sheath **3202** is then separated as illustrated in FIG. **32** and flattened out laterally. Wedge **3206** on a proximal handle portion of stylet **3200** may assist in splitting sheath **3202**. This establishes the prongs of sheath **3202** at the desired depth. Stylet **3200** is then removed, and electrode **100** or another instrument is introduced into position through the sheath **3202**.

FIG. **33** provides exploded perspective and cross-sectional views of a stabilizer **3300**, which can serve as an alternative to stabilizer **110**. In this example, stabilizer **3300** includes a substantially rigid ring-like base **3302**, a substantially rigid upper plate, **3304**, and a soft middle plate **3306** interposed between upper plate **3304** and lower ring **3302**. Upper plate **3304** and middle plate **3306** include corresponding openings **3308**. A neurostimulating electrode **100** or other instrument is passed through one of these openings **3308**. A soft male protuberance around the opening in middle plate **3306** is received within a female receptacle around the opening in upper plate **3304**. When upper plate **3304** is clamped down against base **3302**, the soft protuberance is squeezed against the electrode **100**, holding it securely in place.

FIG. **34** is a perspective view of an stabilizer **3400**, which provides an alternative to stabilizer **110**. In this example, stabilizer **3400** is rubber or any other flexible material that tends to return to its original shape. A spreader **3402** is used to open a slot **3406** in stabilizer **3400**, which is then inserted into an instrument-securing base-plate fastened to the skull. When electrode **100** or other instrument is properly positioned, the spreader is removed, allowing stabilizer **3400** to return to its original shape with the slot **3406** closed around the electrode **100** to hold it securely in place.

FIG. **35** provides a perspective view and several cross-sectional views illustrating a sheath-substitute guide **3500**, which provides an alternative to the peel-away sheaths discussed above. In this example, guide **3500** includes one or more elongate guides **3500A-C** that do not have a central bore lumen for guiding an instrument through. Instead, each guide **3500A-C** includes a cross-section that is formed for guiding an instrument along its side. In this example, the cross-section is crescent-shaped so as to provide a degree of

14

5 mating to the outer diameter of electrode **100**, stylet **3502**, or other instrument that is introduced into the patient along the side of the guide **3500**. In one example, guide **3500** is introduced in tandem with removable stylet **3502**, which provides additional rigidity to the introduction process. In another example, guide **3500** is introduced without removable stylet **3502**. Because guide **3500** does not use a central bore lumen, coring of brain tissue during its introduction may be of less concern. Guide **3500** allows access to the adjacent electrode **100** along its entire length, allowing electrode **100** to be gripped and/or secured very close to the skull (such as using instrument-securing base **104**) before guide **3500** is removed. This prevents excessive movement of electrode **100** during extraction of guide **3500**, which provides more accurate placement of electrode **100** or other instrument.

FIG. **36** provides a perspective view and a cross-sectional view illustrating a sheath **3600** assembly, which provides another alternative to the peel-away sheaths discussed above. In this example, sheath **3600** assembly includes one or more elongate sheaths **3600A-C**. Each elongate sheath **3600** includes an open slot along its length, or a portion thereof. In the illustrated example, each elongate sheath **3600** includes two C-shaped portions **3602A-B** that rotate with respect to each other by manipulating a handle portion of the sheath **3600**. When the C-shaped portions **3602A-B** are rotated into a closed position, they together effectively provide a central lumen **3604** through which electrode **100** or other instrument may be passed. When the C-shaped portions **3602A-B** are rotated into an open position, they together effectively provide an open slot along their length, allowing access to electrode **100** or other instrument that has been inserted therethrough. This allows electrode **100** to be gripped and/or secured very close to the skull (such as using instrument-securing base **104**) before sheath **3600** is removed. This prevents excessive movement of electrode **100** during extraction of sheath **3600**, which provides more accurate placement of electrode **100** or other instrument. In this example, stylet(s) may be inserted into the lumen **3604** before sheath **1600** is introduced, to avoid coring of brain tissue.

FIG. **37** is a cross-sectional view illustrating an example of deep brain access device **3000** mounted onto the patient's skull with remote introducer **2500** mounted onto Luer stem **3016**, which is snapped into central lumen **3010B**. Neurostimulating electrode **100** is held by introducer **2500**, and passed through central lumen **3010B** to target location **108** of the brain.

FIG. **38** is a cross-sectional view illustrating an alternate example of a deep brain access device **3800**. This example illustrates a base **3802**, which is centered around burr hole **106** and secured to the skull. A tower **3804** is secured to base **3802** or, alternatively, directly to the skull. Tower **3804** includes mounting legs **3806** and **3808**, which are affixed to base **3802** or to the skull. The mounting legs **3806** and **3808** are coupled to a pedestal **3810** by pivot pins **3812** and **3814**. Pins **3812** and **3814** are aligned to provide a longitudinal axis about which pedestal **3810** pivots until locked in place by thumbscrew **3816**, which engages one of the pins **3812** and **3814**. Thus, pedestal **3810** would be capable of pivoting into and out of the drawing of FIG. **38**.

In the example of FIG. **38**, pedestal **3810** includes an arc **3818** extending between leg extensions **3820A-B** that are coupled to pivot pins **3812** and **3814**. Arc **3818** is curved, so that a center portion **3822**, away from leg extensions **3820A-B**, would be more distant from the viewer of FIG. **38** than the portions of arc **3818** that are closer to leg extensions

3820A–B. Arc **3818** includes a slot **3824** extending substantially along its length between leg extensions **3820A–B**. A socket **3826** engages and rides along slot **3824**, until locked into position by securing thumbscrew **3828** against arc **3818**. Socket **3826** houses a ball **3006** that can be adjusted spherically until locked into place by one or more thumbscrews. Ball **3006** includes a center sleeve **3008** having one or more lumens, as discussed above with respect to FIG. **30**. In the example of FIG. **38**, a Luer stem **3016** is snapped into a center lumen of sleeve **3008**, and a remote introducer **2500** is mounted onto the Luer stem for guiding electrode **100** to target location **108**.

FIG. **39** is a perspective view illustrating an alternate example of a multilumen insert **1120**. In this example, multilumen insert **1120** includes one or more fiducial markers **3900A–C** (e.g., LEDs, reflective globes, or MRI-imagable microcoils), such as for trajectory alignment in a frameless surgical navigation system or in an MRI environment. This illustration shows three such imagable fiducial markers **3900A–C** defining a plane. Fiducials **3900A–C** are supported on respective arms extending from an attachment extension **3902**, which is coupled by a fastener, such as screw **3904**, to an aim **3906** that extends upward and outward from the planar face plate **3908** of multilumen insert **1120**. This coupling is performed (e.g., using integral alignment guides or, alternatively, performing a calibration adjustment) so that a predetermined known spatial relationship exists between the plane formed by imagable fiducials **3900A–C** and the plane of face plate **3908**, which is orthogonal to the instrument trajectory axis through each of lumens **1124A–E**. Consequently, imaging fiducials **3900A–C** are viewed in conjunction with adjusting the various positioning mechanisms of the deep brain access device to obtain and fix the desired instrument trajectory with respect to the entry portal. Although, in this example, imaging fiducials **3900A–C** are illustrated as being attached and in a known spatial relationship to plate **3908**, imaging fiducials **3900A–C** may alternatively be attached to any other component of the deep brain access device so as to establish a known spatial relationship between the fiducials **3900A–C** and an axial trajectory provided by one or more of lumens **1124A–E**. As another alternative, any component of the deep brain access device includes an adapter for receiving one of several commercially available surgical navigation instruments. Such surgical navigation instruments similarly provide imaging-recognizable fiducials. Such an adapter should be oriented such that the spatial relationship between the surgical navigation instrument and the instrument trajectory is known, thereby allowing imaging of the fiducials to assist in adjusting the trajectory to target location **108**.

The discussed devices and methods may be used in with frameless surgical navigation or with MRI or other imaging. Such techniques permit real-time determination and confirmation of anatomical placement of the instrument for improving targeting and placement accuracy. Other advantages include, among other things, an alignment apparatus that uses a localized coordinate system in which positioning and aligning is based on a coordinate system relative to the patient's skull and the skull entry point rather than a stereotactic frame; real-time imaging that eliminates the need for retrospective imaging and also allows direct confirmation of the anatomical placement; an anatomically determined initial targeting angle (the angle between the body or skull surface and the theoretical target) that is selected based on the patient's actual anatomy; a unique center-of-arc principle using rotation about the nominal trajectory axis, thus simplifying optimization of the first angular adjust-

ment; a locking ball-and-socket arrangement for easy and accurate direct targeting under real-time imaging or frameless surgical navigation; peel-away or alternative sheaths that allow the device to be easily secured into position; access to the base plate assembly so that the electrode can be captured at the surface of the skull immediately after successful placement and before disassembly of the targeting apparatus; and visible (under the imaging method chosen, e.g., under CT or MRI) alignment stems.

Similarly, the stabilization system provides for in situ stabilization immediately upon proper placement, through use of a disk and cam arrangement, thus eliminating inadvertent movement during disassembly of the alignment apparatus, and reducing the likelihood of the electrode moving after implantation; the snap-fit solid cap protects the electrode and its capture mechanism from damage; the stabilization system is substantially scaled to minimize ingress and egress; the base plate is securely attached to the body; a special tool facilitates placement of the base plate correctly into the burr hole, thus assuring adequate clearance for proper assembly of all parts, as well as pre-positioning apparatus for easy attachment; and the electrode is captured by clamping it in a gap between two parts, therefore electrode damage cannot occur because the gap size is limited by a physical stop.

Although the examples primarily discuss targeting, placement, and stabilization of a deep brain electrode, this is just an example of one of the possible procedures that can be done using the body portal type trajectory guide. Numerous other procedures will be accomplished using this device. In addition, the device will give rise to other future surgical procedures.

It is to be understood that the above description is intended to be illustrative, and not restrictive. For example, the above-described embodiments may be used in combination with each other. Many other embodiments will be apparent to those of skill in the art upon reviewing the above description. The scope of the invention should, therefore, be determined with reference to the appended claims, along with the full scope of equivalents to which such claims are entitled. In the appended claims, the terms “including” and “in which” are used as the plain-English equivalents of the respective terms “comprising” and “wherein”.

What is claimed is:

1. An access device for guiding an instrument along a trajectory through an entry portal in a surface, the entry portal defining an entry plane and a rotation axis normal to the entry plane, the access device including:

a base, configured to be mounted to the surface in or about the entry portal;

an instrument guide assembly, rotatably coupled to the base to allow rotation of the instrument guide assembly about the rotation axis;

an instrument guide, including at least one first guide lumen for guiding the instrument, the at least one first guide lumen defining a corresponding at least one first insertion axis, the instrument guide coupled to the instrument guide assembly using an arc-shaped sliding joint capable of adjusting an insertion angle of the at least one insertion axis with respect to the rotation axis; and

wherein the base and the instrument guide assembly are sized and shaped to allow viewing of the entry portal during the insertion of the instrument through the entry portal as directed by the instrument guide.

2. The access device of claim **1**, wherein the base and the instrument guide assembly are sized and shaped to allow

17

access to the instrument during the insertion of the instrument through the entry portal as directed by the instrument guide.

3. The access device of claim 1, in which the instrument guide includes at least one second guide lumen for guiding the instrument, the at least one second guide lumen defining a corresponding at least one second insertion axis.

4. The access device of claim 3, in which the at least one first guide lumen is offset from the at least one second guide lumen by a predetermined distance.

5. The access device of claim 4, in which the at least one first insertion axis is parallel to the at least one second insertion axis.

6. The access device of claim 3, in which the first and second guide lumens are both sized for receiving a reference device for aligning the trajectory with a target, the reference device including at least one locator.

7. The access device of claim 6, further including the reference device for aligning the trajectory with the target, the reference device including at least one locator.

8. The access device of claim 7, in which at least one locator includes at least one light emitting diode.

9. The access device of claim 7, in which the at least one locator includes at least one light reflector.

10. The access device of claim 7, in which at least one locator includes at least one electrically-conductive coil.

11. The access device of claim 6, in which the reference device includes a pair of locators defining the trajectory along the one of the first and second insertion axes corresponding to one of the first and second guide lumens into which the reference device is inserted.

12. The access device of claim 3, further including a lumen selector device that, when coupled to the instrument guide, provides a selecting lumen defining a selecting axis that is aligned to be collinear with one of the first and second insertion axes.

13. The access device of claim 3, further including a lumen selector device that, when coupled to the instrument guide, provides a selecting lumen that is aligned with one of the first and second guide lumens.

14. The access device of claim 1, in which the instrument guide includes a detachable multilumen insert, the multilumen insert including a plurality of guide lumens that are sized and shaped for guiding the instrument.

15. The access device of claim 14, in which the instrument guide includes a lateral adjustment device that is configured to laterally adjust locations of the guide lumens in a direction that is substantially orthogonal to the first insertion axis.

16. The access device of claim 15, in which the lateral adjustment device includes:

a socket;

a ball at least partially in the socket; and

at least one screw through the socket that engages the ball to adjust a location of the ball with respect to the socket.

17. The access device of claim 1, in which the instrument guide includes a lateral adjustment device that is configured to laterally adjust locations of the guide lumens in a direction that is substantially orthogonal to the first insertion axis.

18. The access device of claim 17, in which the lateral adjustment device includes:

a socket;

a ball at least partially in the socket; and

screws through the socket to engage the ball to adjust a location of the ball with respect to the socket.

19. An access device for guiding an instrument along a trajectory through an entry portal in a surface, the entry portal

18

defining an entry plane and a rotation axis normal to the entry plane, the access device including:

a base, configured to be mounted to the surface in or about the entry portal; and

an instrument guide, adjustably coupled to the base for adjusting and fixing the trajectory, the instrument guide including a plurality of guide lumens arranged in a predetermined spatial relationship, the guide lumens including:

a central guide lumen, defining a central insertion axis that intersects the rotation axis at the entry plane; and four peripheral guide lumens, offset from the central guide lumen, the peripheral guide lumens defining corresponding peripheral insertion axes that are parallel to the first insertion axis.

20. The access device of claim 19, further including a lumen selector device including a selecting lumen, the lumen selector device being couplable to the instrument guide such that the selecting lumen is aligned with one of the guide lumens.

21. The access device of claim 20, in which the lumen selector device is couplable to the instrument guide in a plurality of orientations, including a first orientation and a second orientation, the first orientation aligning the selecting lumen to a different one of the guide lumens than the second orientation.

22. The access device of claim 19, in which the guide lumens include:

a first guide lumen, defining a first insertion axis that intersects the rotation axis at the entry plane; and

a second guide lumen, defining a second insertion axis that is parallel to the first insertion axis and displaced from the first insertion axis by a predetermined distance.

23. The access device of claim 22, in which the first and second guide lumens are both sized for receiving a reference device for aligning the trajectory with a target, the reference device including at least one locator.

24. The access device of claim 23, further including the reference device for aligning the trajectory with a target, the reference device including at least one locator.

25. The access device of claim 24, in which at least one locator includes at least one light emitting diode.

26. The access device of claim 24, in which the at least one locator includes at least one light reflector.

27. The access device of claim 24, in which at least one locator includes at least one electrically-conductive coil.

28. The access device of claim 24, in which the at least one locator is locatable using an imaging apparatus.

29. The access device of claim 24, in which the reference device includes a pair of locators defining the trajectory along the one of the first and second insertion axes corresponding to one of the first and second guide lumens into which the reference device is inserted.

30. The access device of claim 19, further including at least one lumen selector device including at least one selecting lumen, the lumen selector device being couplable to the instrument guide such that the selecting lumen aligns with only one of the guide lumens.

31. The access device of claim 30, in which the at least one lumen selector device includes:

a central lumen selecting bridge, including a first selecting lumen, the first central lumen selecting bridge being couplable to the instrument guide such that the selecting lumen always aligns with the central guide lumen; and

19

a peripheral lumen selecting bridge, including a second selecting lumen, the peripheral lumen selecting bridge being couplable to the instrument guide in a selected orientation of a plurality of orientations such that the selecting lumen aligns with a single one of the peripheral lumens based on the selected orientation. 5

32. The access device of claim 19, further including: an instrument guide assembly, carrying the instrument guide, the instrument guide assembly coupled to the base to allow rotation of the instrument guide assembly about the rotation axis; and 10

wherein the instrument guide includes a first guide lumen defining a first insertion axis that intersects the rotation axis at the entry plane, and wherein the instrument guide is coupled to the instrument guide assembly using an arc-shaped sliding joint capable of adjusting an insertion angle of the at least one insertion axis with respect to the rotation axis. 15

33. The access device of claim 19, wherein the base and the instrument guide assembly are sized and shaped to allow viewing of the entry portal during the insertion of the instrument through the entry portal as directed by the instrument guide. 20

34. The access device of claim 19, in which the instrument guide includes a lateral adjustment device that is configured to laterally adjust locations of the guide lumens in a direction that is substantially orthogonal to the trajectory. 25

35. The access device of claim 34, in which the lateral adjustment device includes: a socket; 30

a ball at least partially in the socket; and at least one screw through the socket that engages the ball to adjust a location of the ball with respect to the socket.

36. A method including: securing a base portion of a multiple guide lumen carrying assembly around an entry portal in a surface; 35

rotating at least a portion of the guide lumen carrying assembly about a first axis that is substantially concentric to the entry portal and substantially orthogonal to the surface; 40

tilting at least a portion of the assembly so that a second axis, extending concentrically through one of the guide lumens in the guide lumen carrying assembly, is at a desired angle with the entry portal in the surface; and fixing a position of the guide lumen, including securing the rotating portion of the guide-lumen assembly and 45

20

securing the tilting portion of the guide-lumen carrying assembly in a manner to allow viewing of the entry portal during insertion of an instrument through the entry portal as directed by the guide lumen of the instrument guide.

37. The method of claim 36, further including introducing an instrument through the one of the guide lumens along a trajectory provided by the second axis.

38. The method of claim 36, further including receiving, into the one of the guide lumens, a portion of a remotely locatable alignment device for performing the rotating and the tilting using computer-assisted visualization of a target region located beyond the entry portal.

39. The method of claim 36, further including introducing an instrument through a different one of the guide lumens than the one of the guide lumens defining the second axis.

40. The method of claim 36, further including concentrically aligning the base portion to the entry portal.

41. The method of claim 40, in which the aligning includes:

inserting a screw-carrying positioner through an opening in the base portion and into the entry portal to position the base portion concentrically around the entry portal; screwing the base portion to the surface, thereby releasing the screws from the screw-carrying positioner; and removing the positioner.

42. The method of claim 36, further including introducing an instrument through the one of the guide lumens and the entry portal toward a target location beyond the surface of the entry portal. 30

43. The method of claim 42, in which the guide lumen is a first guide lumen, and further including reintroducing the instrument through a second guide lumen offset from the first guide lumen by a predetermined distance, the second guide lumen concentrically defining a third axis that is parallel to the second axis through the first guide lumen.

44. The method of claim 36, further including selecting a particular one of the guide lumens for introducing an instrument by at least one of orienting and coupling a guide lumen selector to the guide lumen carrying assembly. 40

45. The method of claim 36, further including laterally displacing the guide lumens in a direction that is substantially orthogonal to the second axis.

* * * * *