



US00D353886S

United States Patent [19]

[11] Patent Number: Des. 353,886

Bales et al.

[45] Date of Patent: ** Dec. 27, 1994

[54] **ENDOSCOPIC ELECTROSURGICAL SUCTION-IRRIGATION INSTRUMENT**

[75] Inventors: **Thomas O. Bales**, Miami, Fla.; **Kirk W. Charles**, Austell; **Lionel Gillespie**, Atlanta, both of Ga.; **Saul Gottlieb**, Miami, Fla.; **Joe Kopp**, Decatur, Ga.; **Jurgen A. Kortenbach**, Miami, Fla.; **Devin Moore**, Decatur, Ga.; **Gregory J. Murphy**, Sunrise, Fla.; **David S. Rowley**, Smyrna, Ga.; **Dana W. Ryan**, Davie, Fla.; **Charles R. Slater**, Fort Lauderdale, Fla.; **Kevin W. Smith**, Miami, Fla.; **Matthew S. Solar**, Cooper City, Fla.

[73] Assignee: **Symbiosis Corporation**, Miami, Fla.

[**] Term: **14 Years**

[21] Appl. No.: **272**

[22] Filed: **Oct. 9, 1992**

[52] U.S. Cl. **D24/108; D24/111**

[58] Field of Search **D24/108, 112, 133, 144; 128/750, 752; 604/35, 34, 19, 27, 902, 250, 275, 119, 48, 73**

[56] **References Cited**

U.S. PATENT DOCUMENTS

2,200,322	5/1940	Arnesen	128/303.14
3,850,162	11/1974	Iglesias	128/6
4,154,239	5/1979	Turley	128/217
4,400,168	8/1983	Buechel et al.	D24/112 X
4,445,517	5/1984	Field	128/752
4,519,385	5/1985	Atkinson et al.	604/902 X

4,531,935	7/1985	Berryessa	604/45
4,637,538	1/1987	Wagner	227/63
4,776,840	10/1988	Freitas et al.	604/33
5,209,750	12/1993	Grulke et al.	604/902 X
5,230,704	7/1993	Moberg et al.	604/902 X
5,254,117	10/1993	Rigby et al. .	

FOREIGN PATENT DOCUMENTS

245802	8/1960	Australia .
651524	4/1951	United Kingdom .

OTHER PUBLICATIONS

Zucker, *Surgical Laparoscopy*, Quality Medical Publishing, Inc. (1991), pp. 23, 47-54.

Primary Examiner—A. Hugo Word

Assistant Examiner—I. Simmons

Attorney, Agent, or Firm—David P. Gordon

[57] **CLAIM**

The ornamental design for an endoscopic electrosurgical suction-irrigation instrument, as shown and described.

DESCRIPTION

FIG. 1 is a top, rear perspective view of a endoscopic electrosurgical suction-irrigation instrument, showing our new design;

FIG. 2 is a side perspective view thereof, with the nozzle shown broken away for convenience of illustration;

FIG. 3 is a top plan view thereof;

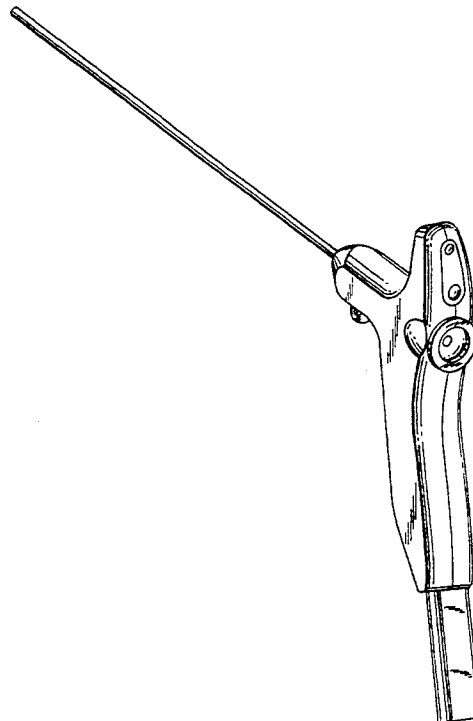
FIG. 4 is a bottom plan view thereof;

FIG. 5 is a front elevational view thereof;

FIG. 6 is a back elevational view thereof;

FIG. 7 is a left side elevational view thereof; and,

FIG. 8 is a right side elevational view thereof.



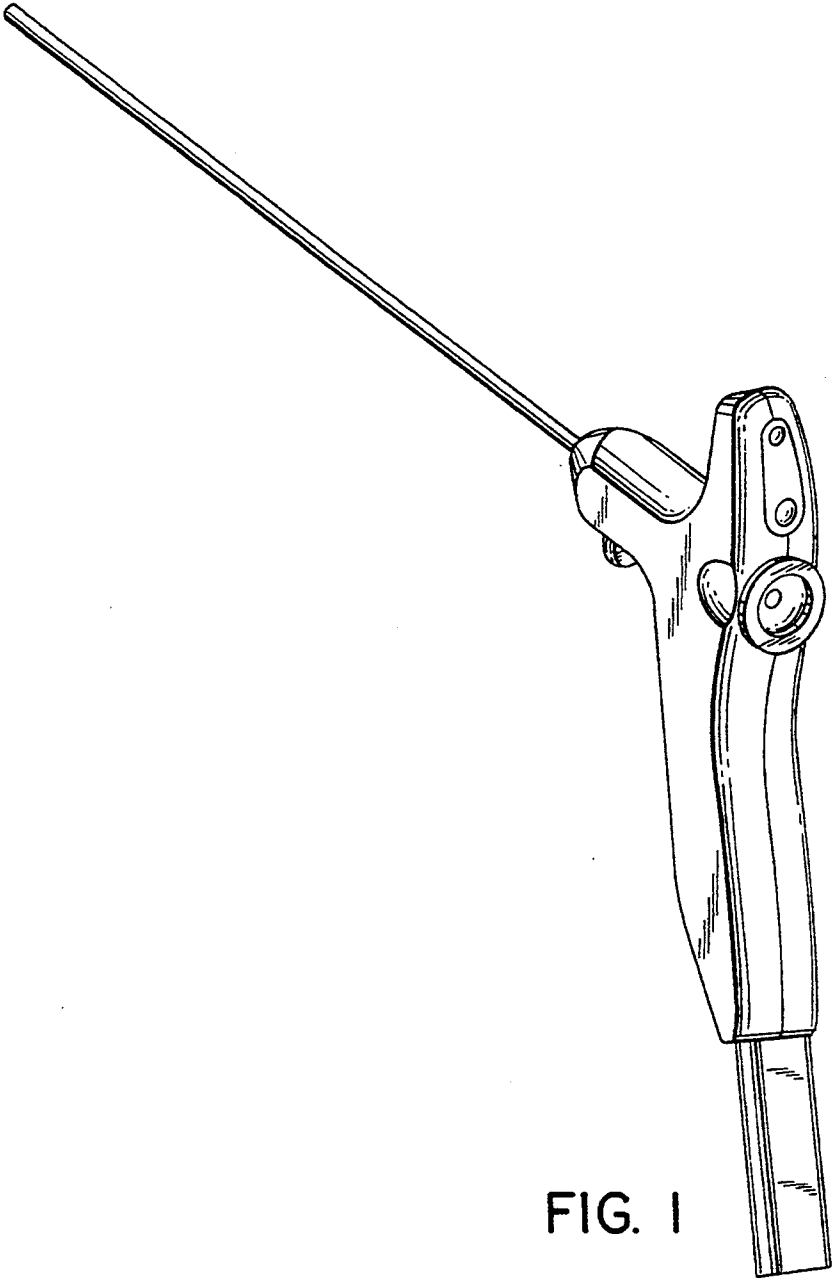


FIG. 1



FIG. 3

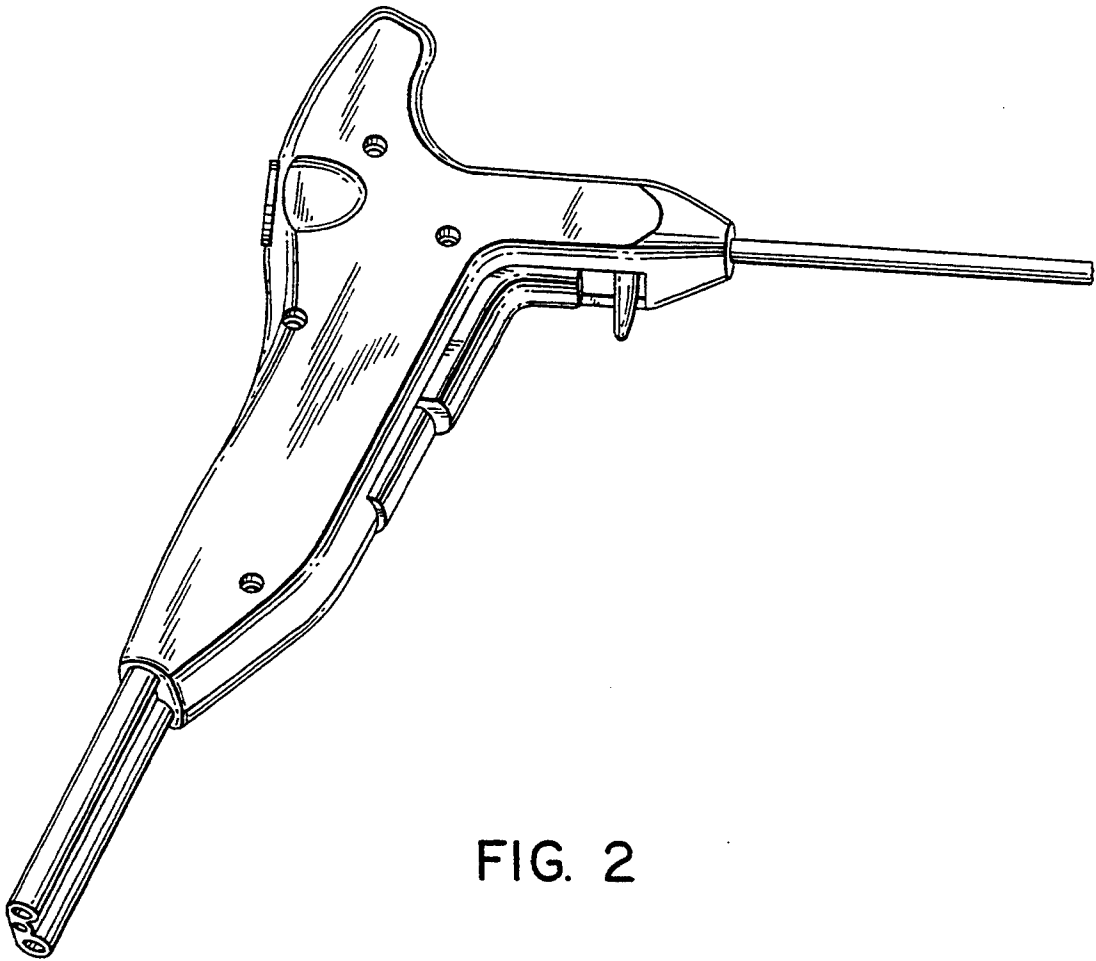


FIG. 2

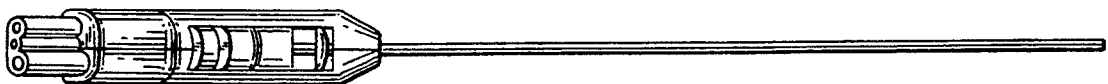


FIG. 4



FIG. 5



FIG. 6

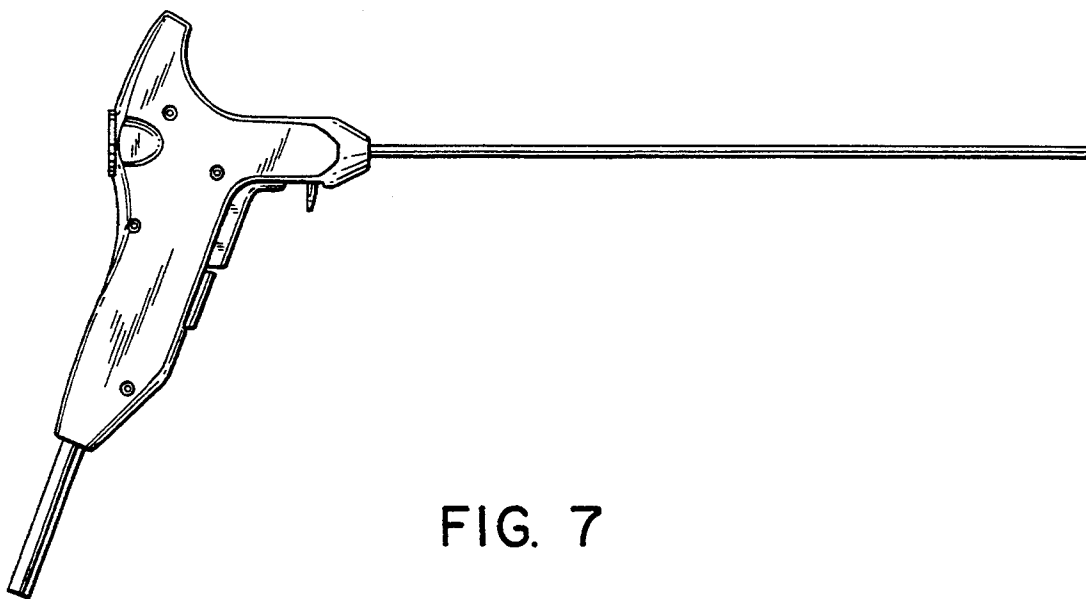


FIG. 7

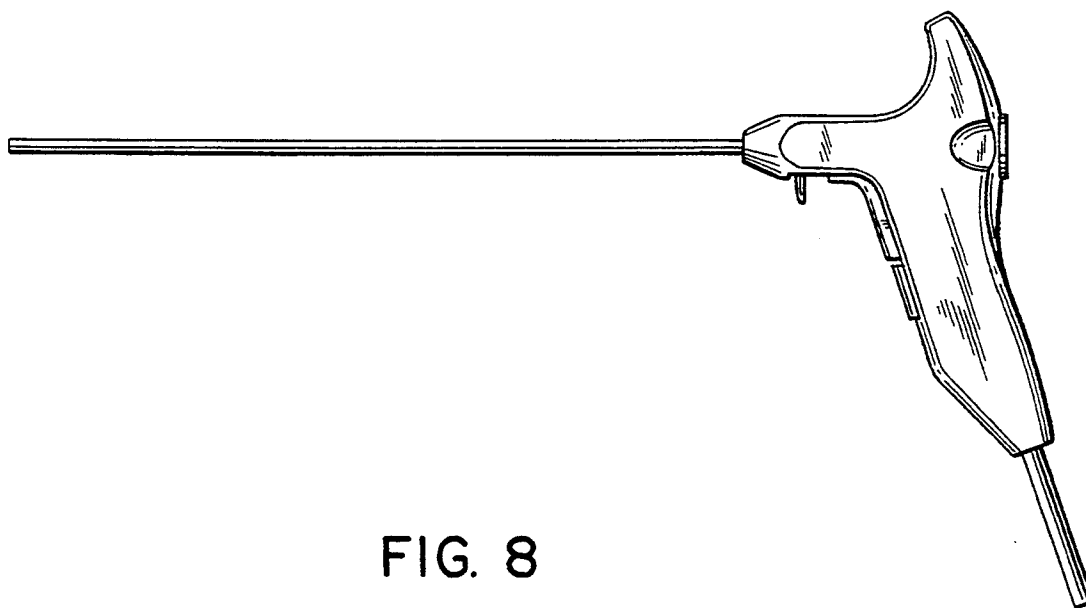


FIG. 8